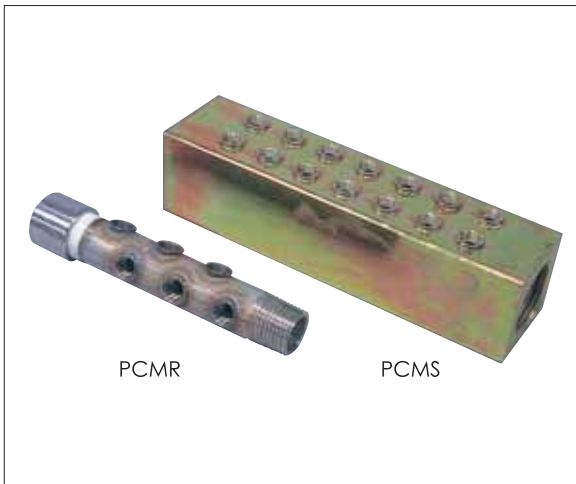


## Pipe Type Manifold



### ● Use

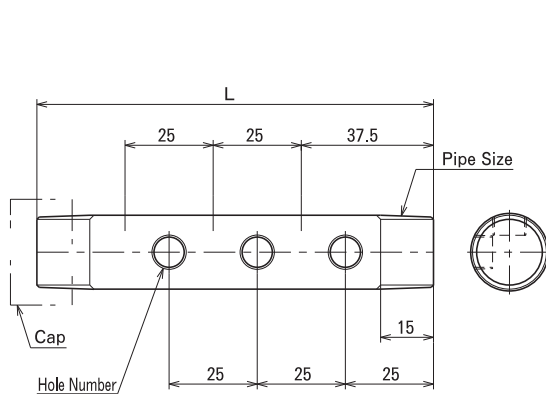
Simple manifold made with a steel pipe or stainless steel pipe on which cooling tube connecting holes are provided. Both square and round shapes are available.

### ● Characteristics

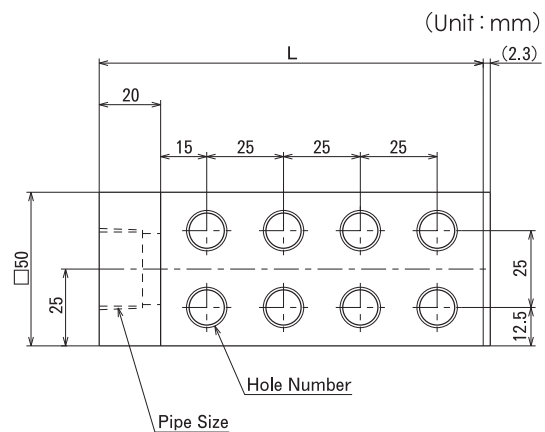
- Available at low cost because commercially available material is used.
- Basic pipe can be processed to 20A~, □32~.
- The number of holes for hose connection is 10, 20, 30 or adjustable to any number suitable for die size.
- Flange type is also available.

### ● Specification

Model	PCMR	PCMS
Shape	Round	Square
Size	20A, 25A, 32A	□40, 50
Length	50mm~	
Material	Stainless Steel or Steel (Platable)	
Thread, Top Section	Rc1/8 • Rc1/4	
Thread, Root Section	Depends on Size	Rc1/2•Rc3/4•Rc1•Rc1 1/4
Dimension	Depends on number of connections.	



(Example : 6 holes  
For thread position, please confirm)



(Example : 8 holes  
For thread position, please confirm)

### ● Example of order code designation

Model	Dimensions	Thread, Root Section	Thread, Top Section	Hole Number
PCMR	20A	—	1/8	10
PCMS	40	1/2	1/8	20