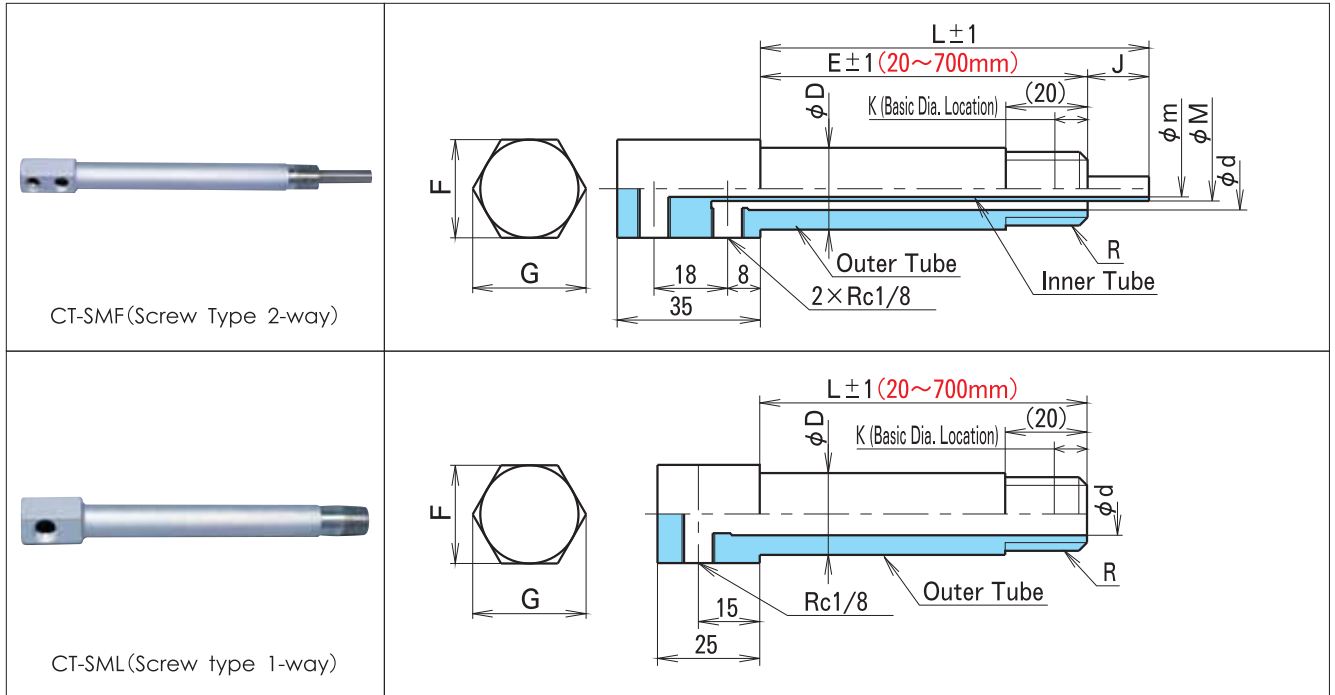


# Cool Tube (Stainless Steel, Screw Type)

Excellent corrosion resistant, stainless steel cooling tube.

- F is 2-way and L is 1-way.
- It is held firmly on the die with special thread.



## Material

Head and Outer Tube : SUS304  
Inner Tube : SUS304

Maximum working pressure 2MPa

Working fluid temperature Below 150°C

## Standard list

(Unit : mm)

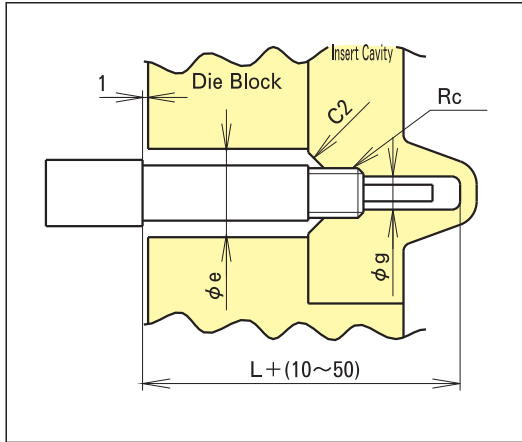
Model	Type	Nominal	Head		Outer Tube				Inner Tube (SMF only)	
			Across	Max. Dia.	Outer Dia.	Inner Dia.	Screw	Basic Dia. Location	Outer Dia.	Inner Dia.
			F	G	φD	φd	R	K	φM	φm
CT	SMF SML	1	19	22	10.5	5.7	1/8	4	4.0	2.0
		2	19	22	14.0	8.0	1/4	6	6.0	4.0
		3	24	28	17.3	10.9	3/8	7	8.0	6.0
		4	24	28	21.7	16.1	1/2	8	10.0	8.0

## Example of order code designation

Model	Type	Nominal	LengthL	OuterLength E	Inner ProfusionJ	Designate L E J
CT	SMF	1	L200	E150	J50	※Please order L,E,J by a 1mm unit.
	SML	1	L200			

※This product is made of stainless steel and marking is not available.

## ● Recommended size



(Unit : mm)

Model	Type	Nominal	Die Block, Hole Dia.	Screw	Top, Hole Dia.
			$\phi e$	Rc	$\phi g$
CT	SMF SML	1	15	1/8	6~
		2	17	1/4	8~
		3	22	3/8	12~
		4	26	1/2	16~