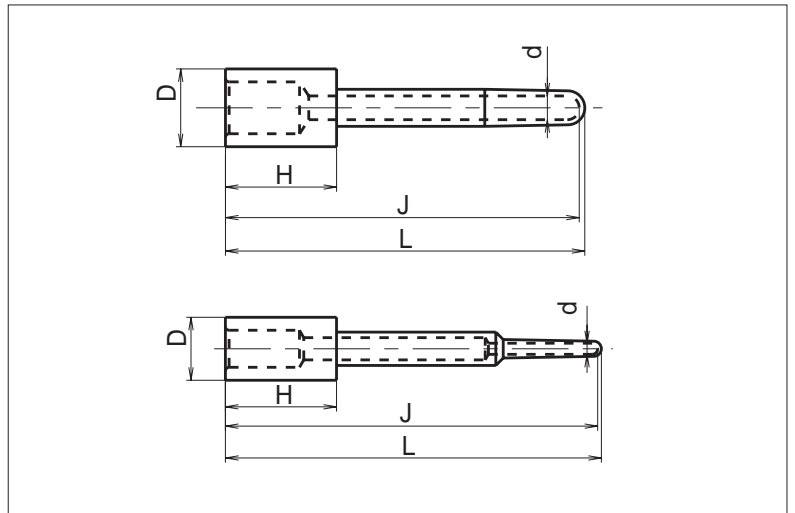


Jet Pin (Core Pin provided with a cooling channel)



Pin Cross Section



Standard

Model	ϕD	L	Extra Processing Code J	Processing	Cooling Channel machining
CP	CP Core Pin Designate from (P.119)	Depth of Cooling Channel		①Cooling channel ②Cooling connection	Please send drawing

※Note

Jet Pin is a core pin with a built-in cooling water channel. This is suitable for Core Pins in diameter of 4mm or larger. Please send a drawing of your core pin together with your order. We may suggest our own cooling channel shape.

Example of order code designation

Ref. Jet Cooler (P.23~)

Model	ϕD	L	Extra processing code J	
CP	D26	L300	J297	+ Drawing