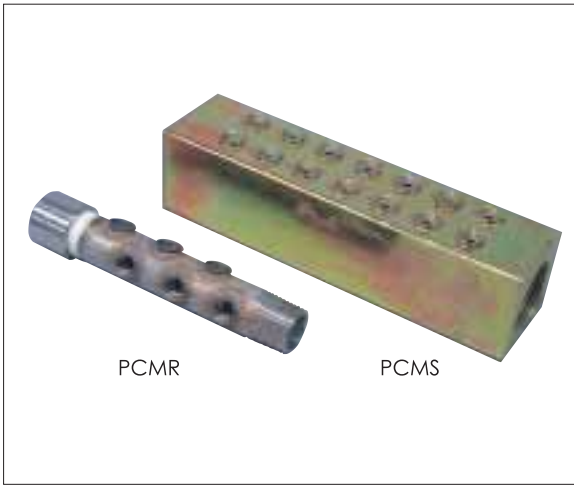


Pipe Type Manifold



Use

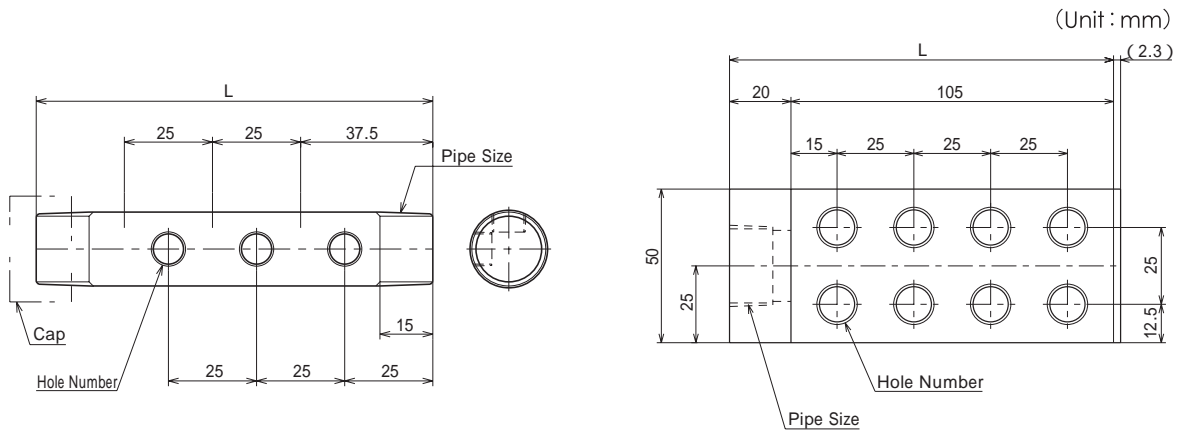
Simple manifold made with a steel pipe or stainless steel pipe on which cooling tube connecting holes are provided. Both square and round shapes are available.

Characteristics

- Available at low cost because commercially available material is used.
- Basic pipe can be processed to 15A~, □32~.
- The number of holes for hose connection is 10, 20, 30 or adjustable to any number suitable for die size.

Specification

| | | |
|----------------------|-------------------------------------|-------------------------|
| Model | PCMR | PCMS |
| Shape | Round | Square |
| Pipe Size | 15A, 20A, 25A, 32A | □40, 50 |
| Pipe Length | 50mm~ | |
| Material | Stainless Steel or Steel (Platable) | |
| Thread, Top Section | Rc1/8 • Rc1/4 | |
| Thread, Root Section | Depends on Pipe Size | Rc1/2•Rc3/4•Rc1•Rc1 1/4 |
| Dimension | Depends on number of connections. | |



Example of order code designation

