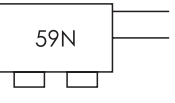
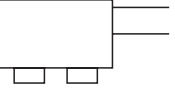
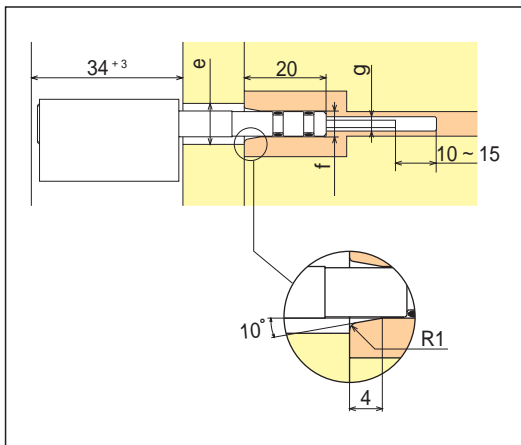


Jet Cooler (O-ring Type)

● Extra processing

Extra Processing	Extra Processing Code	Example/Remarks
Marking(English letters and numbers only) 4mm high	MK□□□□ Designate letters or numbers	
With Coupler (only JC-RO)	Select from CO•4•6•8 (Only R1/8 Screw) (P.67)	
Inner Tube Designation	M	Select from φ M column

● Recommended size



(Unit : mm)

Model	Type	Nominal	Hole on Die Mold	Hole Dia. of O-ring	Hole Dia. at Top	O-ring Part Depth
			φ e	φ f ^{+0.1}	φ g	
JC	TO RO	06	10	6.3	3.5~	20
		08	12	8.2	4.5~	
		10	13	10.0	6.0~	

● Example of order code designation

Model — Type — Nominal — LengthL — OuterLength E — Inner ProtrusionJ — Inner Tube Outer Dia. M — Designate L E J

JC — RO — 06 — L200 — E150 — J50 — M1.2

※Please order L,E,J by a 1mm unit.
M is entry-free in the case of standard.

● Example of order extra processing

Model — Type — Nominal — LengthL — OuterLength E — Inner ProtrusionJ — ExtraProcessing Code

JC — RO — 06 — L200 — E150 — J50 — MK59N — C04 — M1.2