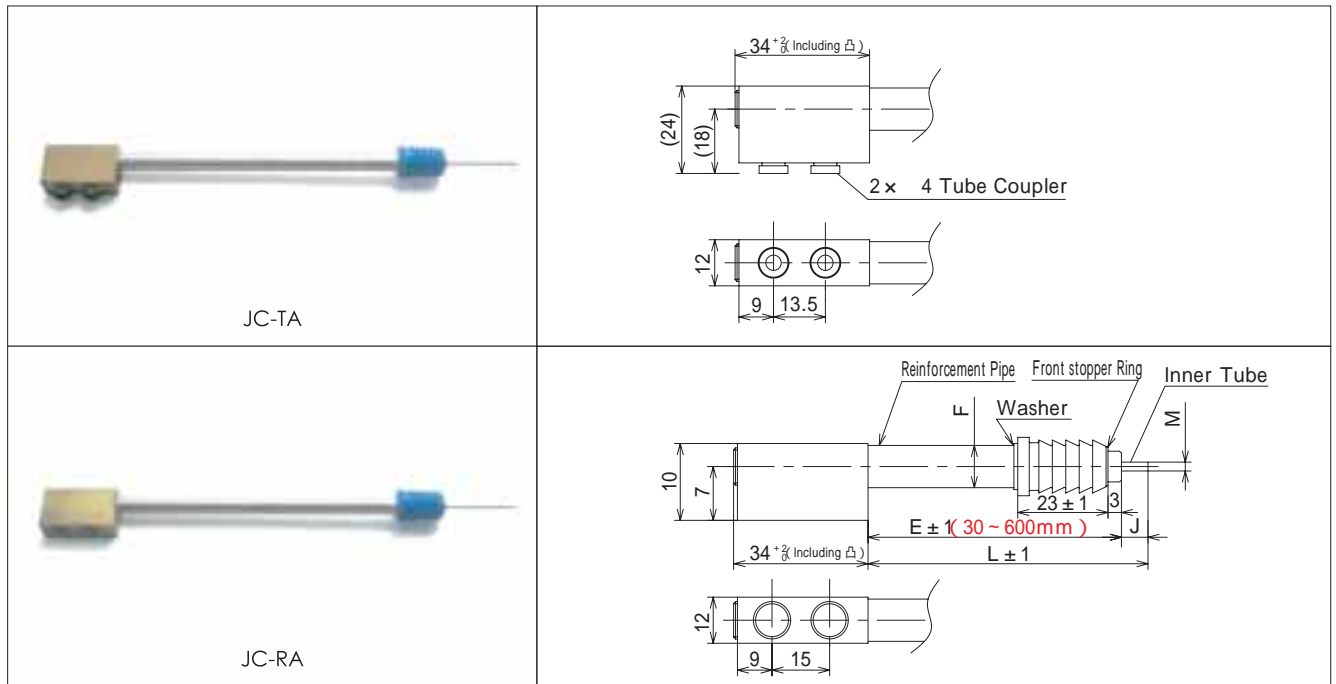


# Jet Cooler (With packing retainer)

Strong Jet Cooler for installation with packing retainer.

- JC-TA is for "one-touch" connection with  $\phi 4$  tube. JC-RA has screw holes for connection with tube coupler.
- Installation hole diameters are  $\phi 10$  and  $\phi 13$ .



Extra Processing : Coupler will be fitted on RA type.

## Material

Head : Bs (Brass)  
Outer Tube : SUS304  
Inner Tube : SUS304

O-ring (Coupler) : JIS 4-D (Heat-resistance temperature 200°C)  
Packing : Silicon Rubber (Heat-resistance temperature 150°C)

Maximum working pressure 1.5MPa      Working fluid temperature Below 150°C

## Standard list

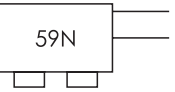
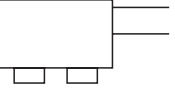
(Unit : mm)

Model	Type	Nominal	Head Hose Connection	Outer Tube		Inner Tube		Reinforcement Pipe Inner Dia.	Hole for Packing $\phi f^{+0.1}$
				Outer Dia.	Inner Dia.	Outer Dia.	Inner Dia.		
				$\phi D$	$\phi d$	$\phi M$	$\phi m$		
JC	TA	106	Tube Coupler	6.0	3.0	1.20 1.80	0.85 1.35	6.4	10
		136	Tube Coupler	6.0	3.0	1.20 1.80	0.85 1.35	6.4	13
	RA	106	Rc1/8	6.0	3.0	1.20 1.80	0.85 1.35	6.4	10
		136	Rc1/8	6.0	3.0	1.20 1.80	0.85 1.35	6.4	13
		138	Rc1/8	8.0	4.0	1.80 2.30	1.35 1.80	11.0	13

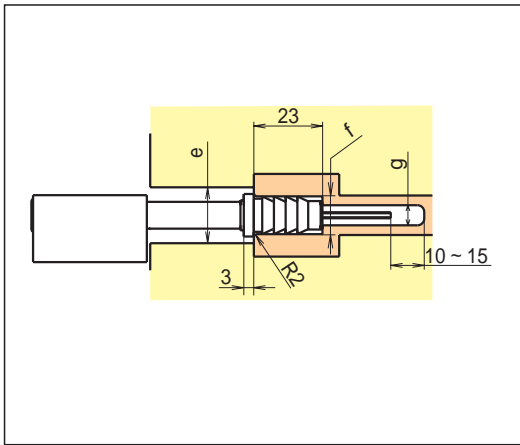
It is recommended to use largest possible inner and outer tubes.  
     are standard inner tubes. Please designate M for other tubes.

# Jet Cooler (With packing retainer)

## ● Extra processing

Extra Processing	Extra Processing Code	Example/Remarks
Marking(English letters and numbers only) 4mm high	MK□□□□ Designate letters or numbers	
With Coupler (only JC-RA)	Select from CO•4•6•8 (Only R1/8 Screw) (P.67)	
Inner Tube Designation	M	Select from $\phi$ M column

## ● Recommended size



Model	Type	Nominal	Hole on Die Mold	Hole Dia. of Packing	Hole Dia. at Top
			$\phi e$	$\phi f^{+0.1}$	$\phi g$
JC	TA RA	106	14	10	3.5~
		136	17	13	3.5~
		138	17	13	4.5~

## ● Example of order code designation

Model — Type — Nominal — LengthL — OuterLength E — Inner ProtrusionJ — Inner Tube Outer Dia. M — Designate L E J

**JC** — **TA** — **136** — **L200** — **E150** — **J50** — **M1.2**

※Please order L,E,J by a 1mm unit.  
M is entry-free in the case of standard.

## ● Example of order extra processing

Model — Type — Nominal — LengthL — OuterLength E — Inner ProtrusionJ — ExtraProcessing Code

**JC** — **TA** — **136** — **L200** — **E150** — **J50** — **MK59N** — **CO4** — **M1.2**