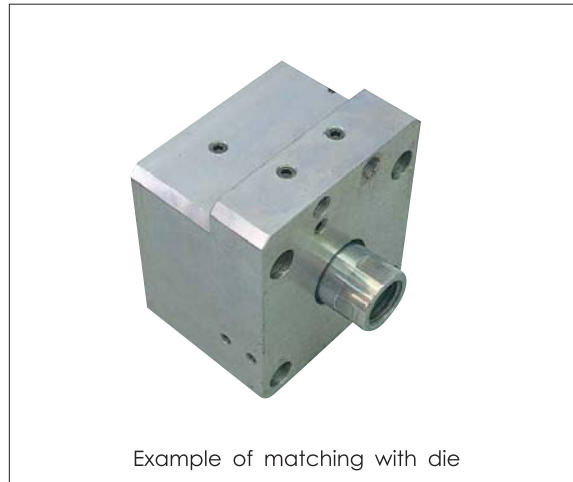
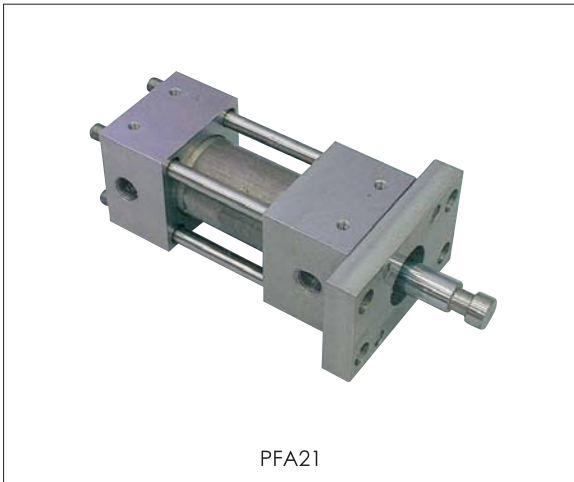


Core Pull Cylinder (Cylinder for a hydraulically actuated core)



Characteristics

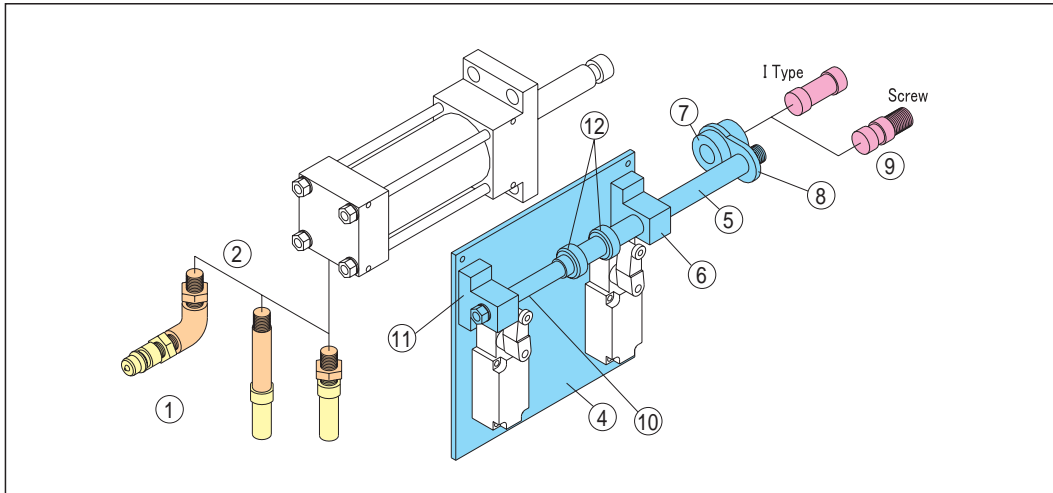
- Compact design
- Special orders for adaptation for particular dies are acceptable.
 - One-body construction
 - Rods in both side
 - Processing to flange shape
 - Oblique shape
 - Direct installation
- Core pull cylinder(2-speed type) is double cylinder construction. Strong power is obtainable for core pull.

Standard

Model	Color	Hydraulic Pressure	Rod end	Cylinder I.D ϕd	Cushion	Stroke	Details
PFA14	Green	14MPa	C (coupling) M (Screw-type)	See Page in each product	B(both sides) R(rod side) H(head side) N(none)	Size designation in 10mm unit	P.113
PFA21	Blue	21MPa					P.115
PTS	Green	14MPa					P.116

Please refer each product page for the details.

● Items separately sold



● Items separately sold

Item	Standard									
	No.	Thread	Depth (mm)	Min.Area (mm)	Max working pressure	Pressure proof	Temp.	Material	Sealing material	
① Coupler	4HP	R1/2	27.5	77	20.5MPa	31.0MPa	-20~ +80°C	Chrome- molybdenum Steel	Nitrile rubber	
	6HP	R3/4	27.5	77						
	66HP	R3/4	28	145						
	8HP	R1	36	203						
② Nipple at head side	Standard type With elbow Long nipple Type with hose Choose from 4 types									
③ Nipple at rod side										
Limit switch Assy	④ Limit plate	Please refer to above table. For the details, please contact us.								
	⑤ Limit pipe									
	⑥ Pipe holder									
	⑦ Coupling									
	⑧ Limit arm									
	⑩ Guide bar									
⑪ Guide holder	I-screw type Choose one type from 2.									
⑫ Limit dog										
⑨ Joint										