

## Tie-Bar Strain Gage



### Use

- This strain gage measures the stress applied to the tie bar of the die casting machine or injection molding machine.
- Please use for periodic inspection of load meter of die casting machine or checking of die locking force at die-change.

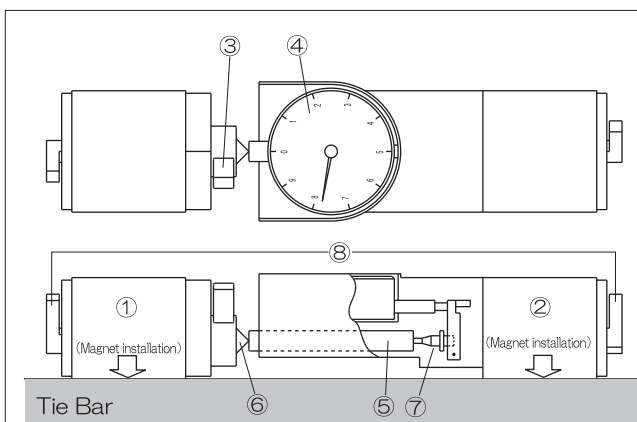
### Characteristics

- Magnetic installation on tie bars.
- Portable
- It is not a stationary type, so less deformation

### Effect

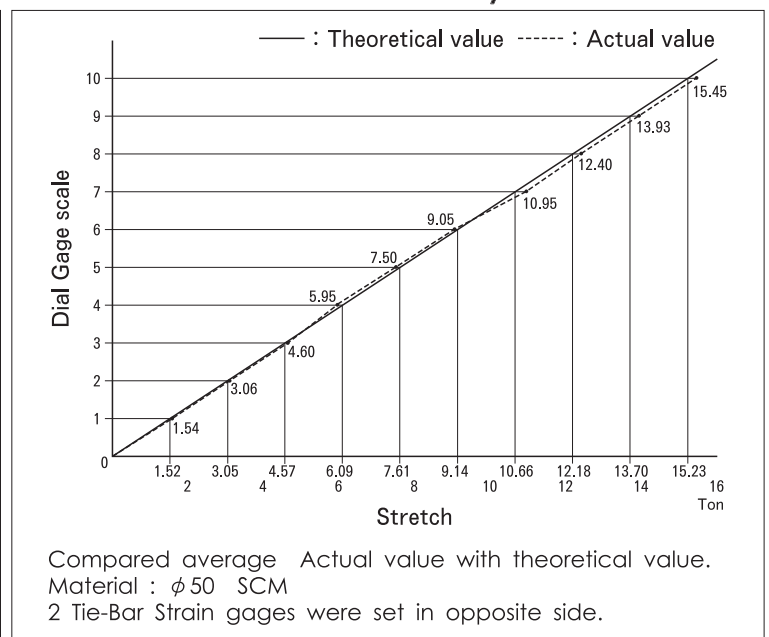
- Easy to find imbalance of die clamping force
  - Avoid from danger by flashing of fin at the time of casting
  - Breakage of identical parts such as tie bar, nut, toggle pin can be prevented
- Accident or deterioration of die life due to excessive clamping force can be prevented.
- Easy check for die casting machine

### Part Name

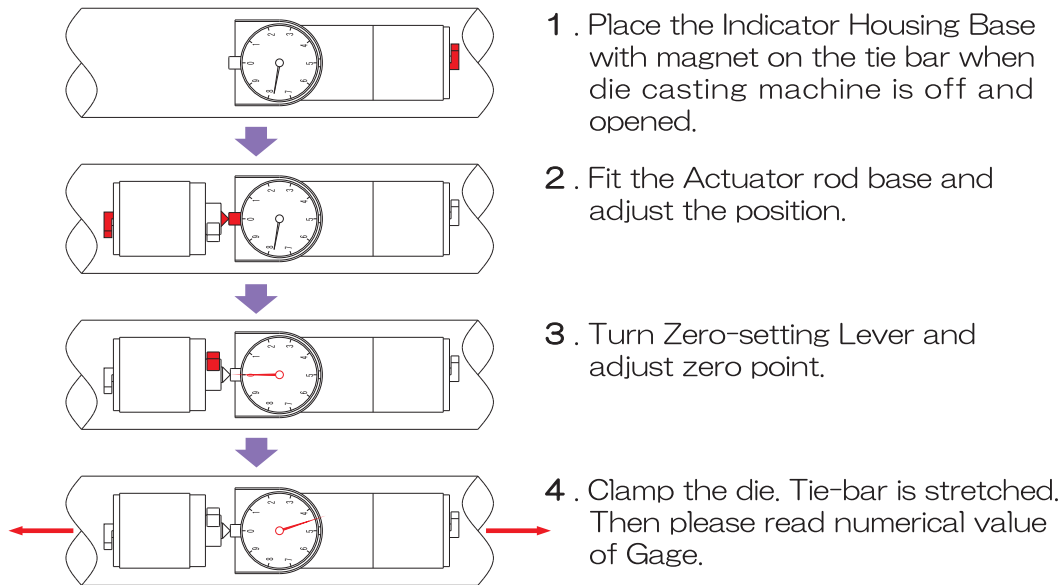


- ① Actuator Rod Base with magnet
- ② Indicator Housing Base with magnet
- ③ Zero-Setting Lever
- ④ Dial gage
- ⑤ Actuating rod
- ⑥ Positioning of Actuating rod
- ⑦ Amplifying Arm Mechanism and transmit (amplifies the tie bar stretch and transmit rod movement to gage).
- ⑧ Magnet ON · OFF Lever

### Verification of accuracy



## ● Operation



1 . Place the Indicator Housing Base with magnet on the tie bar when die casting machine is off and opened.

2 . Fit the Actuator rod base and adjust the position.

3 . Turn Zero-setting Lever and adjust zero point.

4 . Clamp the die. Tie-bar is stretched. Then please read numerical value of Gage.

5 . Read stretch on another side of tie bar in the same manner.

6 . Average gaged value of both sides and convert it to stress.

7 . Read and convert all the remaining 3 tie-bars equally

8 . Judge stress balance depending in each 4 tie- bars. When proper balance is not obtained, adjustment of DC machine is necessary.

9 . Add up 4 stresses on 4 tie-bars. Confirm that total value(Tonnage) is in the range of die clamping tolerance.

## ● Specification

Item	Model	TSG-DA
Dimension		H50×W300×D100mm
Mass		2.35kg
Accuracy		Min. scale is 1% of proper die clamping force
Tie Bar Dia.		φ 50~φ 250
Accessories		Wooden Box

## ● Example of order code designation

Model

TSG-DA

- Calibration(with certification) is accepted. (Fee is required.)