

# Open Type Cooling Manifold



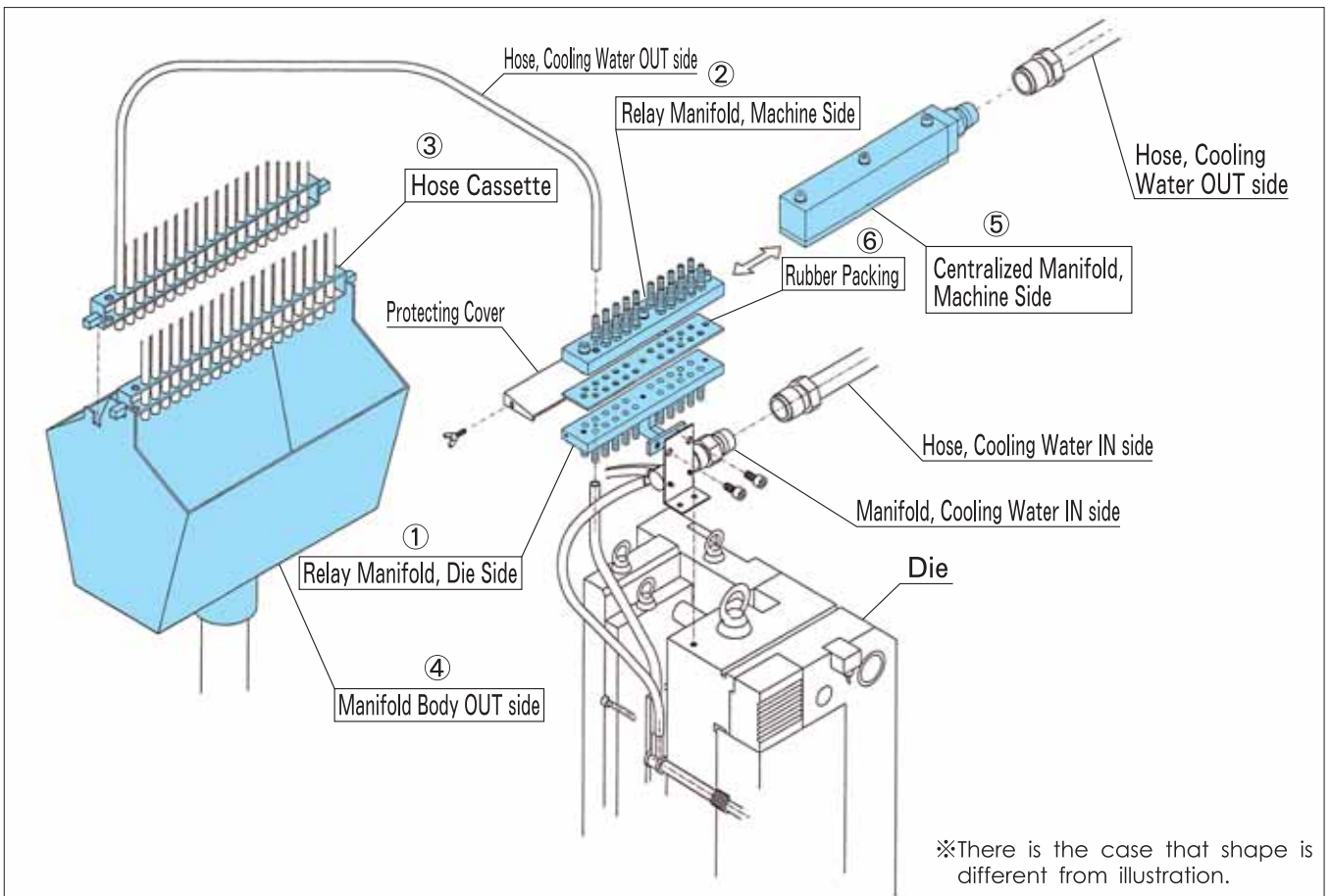
## ● Use

Manifold facilitates connection / disconnection to / from the die at time of die change.

## ● Characteristics

- Each cooling water OUT port has an opening to check water flow condition.
- Connection can be made "one-touch" to the multitude of cooling ports.
- We have open type enabling water flow confirmation and simple centralized type.
- The number of connections by type is 10, 15, 20 and 24.
- It is made of stainless steel and aluminum and has a strong resistance against rust.
- Maximum working pressure is 0.5 MPa (for cooling water OUT)  
Please refer about other pressure.

# Open Type Cooling Manifold



## ● Component

OCM	Name	Type	Number of Connection
①	Relay Manifold, Die Side	DM	10
			15
			20
②	Relay Manifold, Machine Side	MM	10
			15
			20
③	Hose Cassette	HC	10
			15
			20
④	Manifold Body, Out Side	MH	10
			15
			20
⑤	Centralized Manifold, Die Side	MP	10
			15
			20
⑥	Rubber Packing	OCM GP	※

※You can cut it depending on number of connection

## ● Example of order code designation

Please contact us if there is any question.