
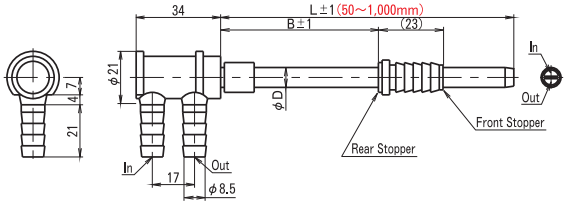

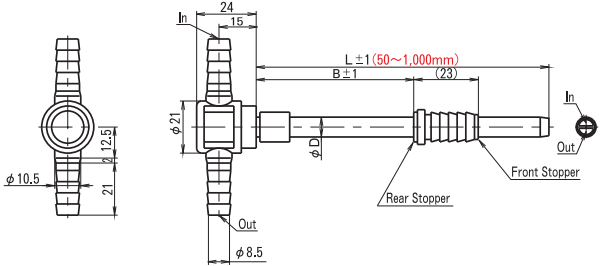

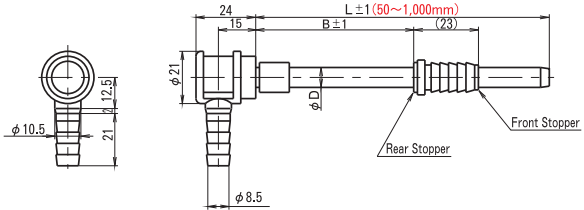


Die Cooler (8mm hose)

For connection of 8mm hose

(Reinforcing Rubber : at option)

 <p>DC-8F(8mm hose connection, 2-way type)</p>	
 <p>DC-8T(8mm hose connection, 2-way type)</p>	
 <p>DC-8L(8mm hose connection 1-way type)</p>	

Material

Head and Tube : Aluminum

Packing : Silicon Rubber

Reinforcement Rubber : NBR Black (only Outer Dia. $\phi D = 6$ or 8 is available at option.)

● Maximum working pressure 0.3MPa ● Working fluid temperature Below 150°C

Standard list

Model	Type	Nominal	Cooling Tube on Die Installation hole dia of Die	Tube Outer Dia.	Tube Length	Packing Location
			$\phi f^{+0.1}_0$	ϕD	L	B
DC	8F 8T 8L	10-6	10	6	50~1000	Designate
		13-6	13	6		
		13-8	13	8		
		18-10	18	10		
		18-12	18	12		
		21-12	21	12		

Example of order code designation

Model — Type — Nominal — L — B

DC — **8F** — **21-12** — **L150** — **B100** ※Please order L,B by a 1mm unit.

Die Cooler (8mm hose)

● Extra processing


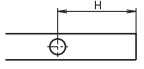

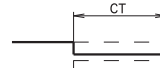
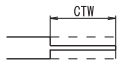
Extra Processing	Extra Processing Code	Processing Contents	Remarks
Reinforcing Pipe Installation	A	 Install reinforcing pipe and rubber, washer.	Please see Table-1
Hole Processing	H (Hole Location Designation)	 For long distance cooling, make a hole on returning side of a pipe so that water can flow outside of it.	
Marking	MK□□ (English letters and numbers only)	 Designate letters and numbers. Up to 2 letters.	
Point Cut	One Side (Return) CT (Length Designation)		
	Both Sides CTW (Length Designation)	 For long distance cooling, cut pipe so that water can flow out from the pipe	

Table-1

Extra Processing	Reinforcement pipe length(=B) (mm)		
A with reinforcement pipe	~200	~400	~600

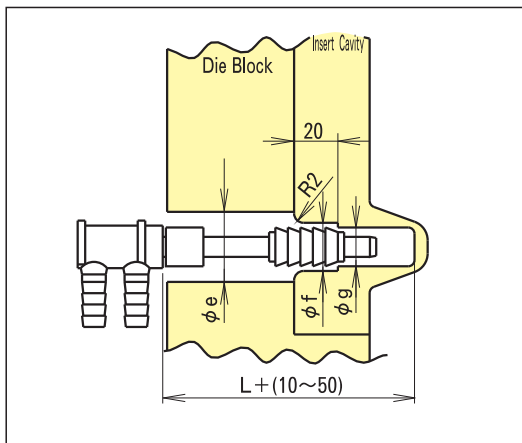
Table-2

Extra Processing		CT・CTW (mm designation)				
Point Cut	CT One side	~100	~150	~175	~200	~300
	CTW Both sides					

● Example of order code designation (Extra processing)

Model	Type	Nominal	L	B	ExtraProcessing Code	
DC	8F	21-12	L150	B100	A	MK12

● Recommended size



(Unit : mm)

Model	Type	Nominal	Die Block, Hole Dia.	Installation hole dia. of Die	Top, Hole Dia.
			φ e	φ f ^{+0.1} ₀	φ g
DC	8F 8T 8L	10- 6	14	10	7~
		13- 6	17	13	7~
		13- 8	17	13	9~
		18-10	22	18	12~
		18-12	22	18	14~
		21-12	25	21	14~