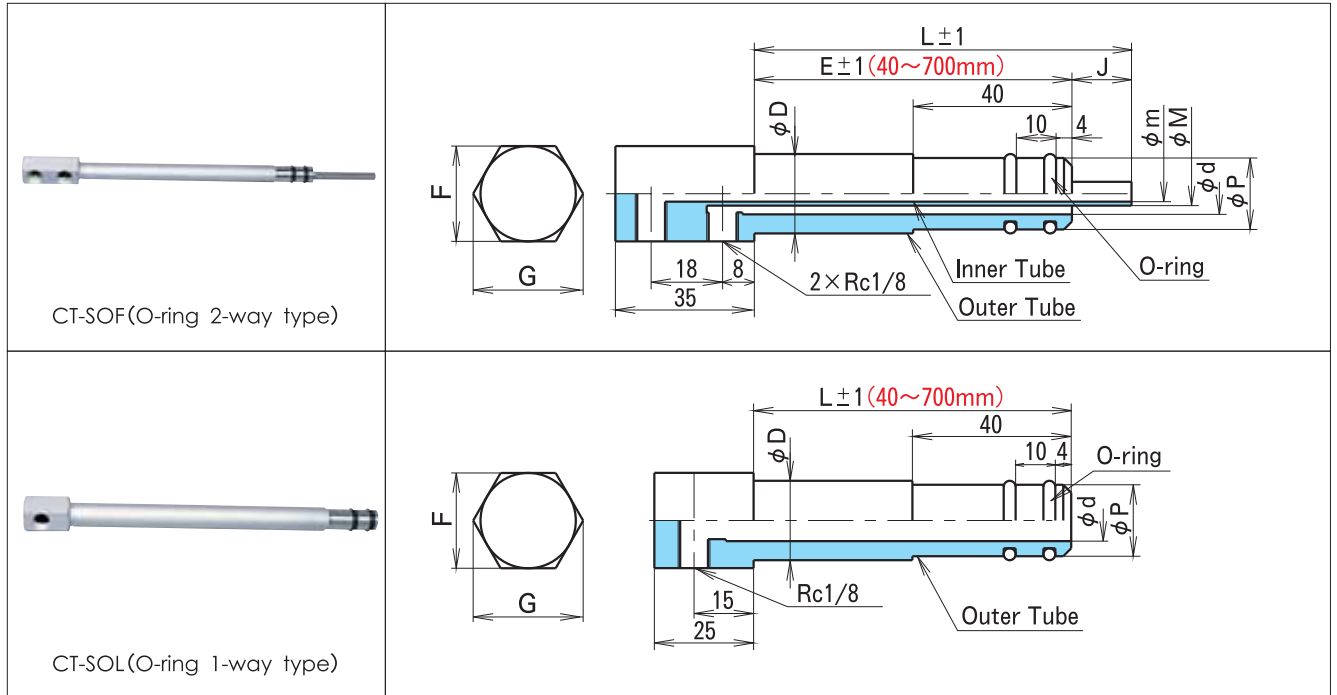


Cool Tube (Stainless Steel, O-ring Type)

Highly anti-corrosive stainless steel cooling tube.

- F is 2-way and L is 1-way.
- Putting in and out is easy because of O-ring.



Material

Head and Outer Tube : SUS304
 Inner Tube : SUS304
 O-ring : JIS 4-D (Heat resistance temperature 200°C)

● Maximum working pressure 2MPa ● Working fluid temperature Below 150°C

Standard list

(Unit : mm)

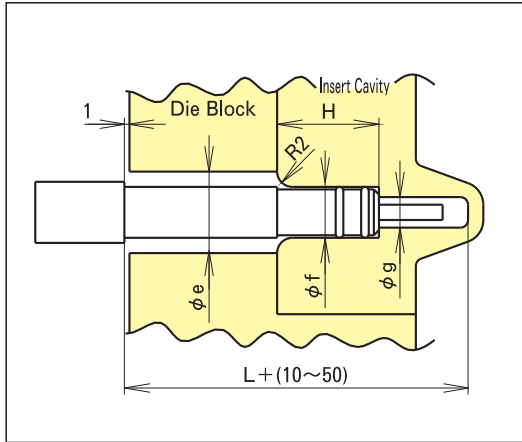
Model	Type	Nominal	Head		Outer Tube				Inner Tube (SOF only)	
			Across	Max. Dia.	Outer Dia.	Inner Dia.	O-ring	O-ring used	Outer Dia.	Inner Dia.
			F	G	φD	φd	φP	JISB2401	φM	φm
CT	SOF SOL	1	19	22	10.5	5.7	10.0	P 8	4.0	2.0
		2	19	22	14.0	8.0	12.0	P10	6.0	4.0
		3	24	28	17.3	10.9	17.0	P14	8.0	6.0
		4	24	28	21.7	16.1	21.0	P18	10.0	8.0

Example of order code designation

Model	Type	Nominal	Length L	Outer Length E	Inner Protrusion J	Designate L E J
CT	SOF	1	L200	E150	J50	※Please order L,E,J by a 1mm unit.
	SOL	1	L200			

※This product is made of stainless steel and marking is not available.

● Recommended size



(Unit : mm)

Model	Type	Nominal	Die Block, Hole Dia.	O-ring Hole Dia.	Top, Hole Dia.	O-ring Depth
			ϕe	ϕf	ϕg	H
CT	SOF SOL	1	15	$11^{+0.05}_0$	6~	20
		2	17	$13^{+0.05}_0$	8~	
		3	22	$18^{+0.06}_0$	12~	
		4	26	$22^{+0.06}_0$	16~	

■ Note

- Please make sure to protect Cool Tube from dislocation.
- There might be water leak if cool tube is inclining.
Please use it to prevent from inclining.
- Please apply soapy water on O-ring for installation.
- Please be careful to damage of O-ring for installation. There might be water leak.