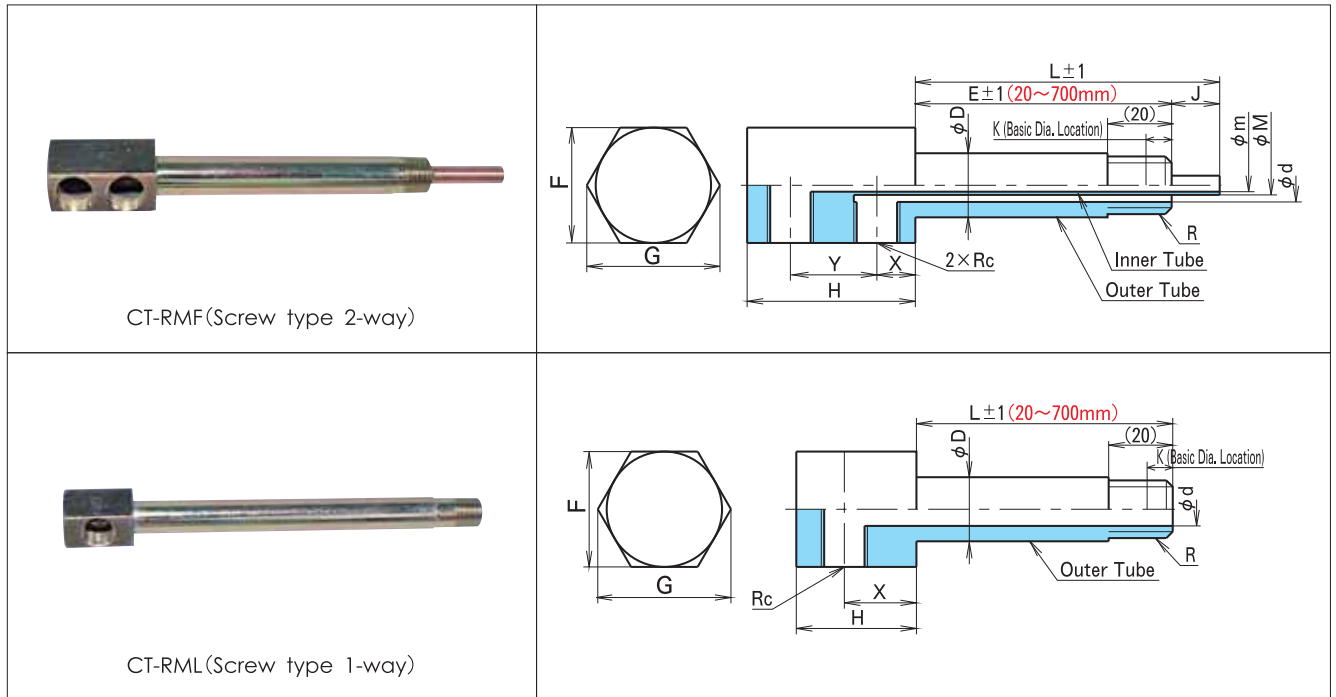


Cool Tube (With Identical Thread)

Thread for installation on the die are identical to the threads for hose connection.

- Right hose or tubing can be used according to the cooling channel.
- Die cooling tube, made of steel.
- F is 2-way and L is 1-way cooling type.
- It is held firmly on the die with special thread.



Material

Head and Outer Tube : MFZ8CM2 plated steel
Inner Tube : Phosphorus Deoxidized Copper

● Maximum working pressure 2MPa

● Working fluid temperature Below 150°C

Standard list

(Unit : mm)

Model	Type	Nominal	Head						Outer Tube				Inner Tube (RMF only)	
			Across	Max. Dia.	Screw Hole	Hole Location	Hole Pitch	Length	Outer Dia.	Inner Dia.	Screw	Basic Dia. Location	Outer Dia.	Inner Dia.
			F	G	Rc	X	Y	H	φD	φd	R	K	φM	φm
CT	RMF	3	29	34	3/8	14	22	48	17.3	10.9	3/8	7	8.0	6.0
		4	38	44	1/2	15	26	55	21.7	16.1	1/2	8	10.0	8.0
	RML	3	29	34	3/8	14		28	17.3	10.9	3/8	7		
		4	38	44	1/2	15		30	21.7	16.1	1/2	8		

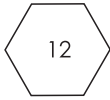
● Please use CT-MF-1 • CT-ML-1 for R1/8, CT-TMF-2 • CT-TML-2 for R1/4.

Example of order code designation

Model	Type	Nominal	Length L	Outer Length E	Inner Protrusion J	Designate L E J
CT	RMF	3	L200	E150	J50	※Please order L,E,J by a 1mm unit.
	RML	3	L200			

Cool Tube (With Identical Thread)

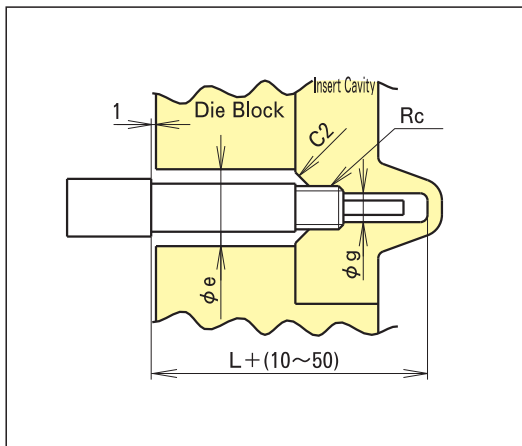
● Extra processing

Extra Processing	Extra Processing Code	Example	Remarks
Marking(English letters and numbers only) 3mm high	MK□□□□ Designate letters or numbers		Max.5 letters

● Example of order code designation (Extra processing)

Model	Type	Nominal	LengthL	OuterLength E	Inner ProtrusionJ	ExtraProcessing Code
CT	RMF	3	L200	E150	J50	MK12

● Recommended size



(Unit : mm)

Model	Type	Nominal	Die Block, Hole Dia.	Screw	Top, Hole Dia.
			ϕe	Rc	ϕg
CT	RMF	3	22	3/8	12~
	RML	4	26	1/2	16~