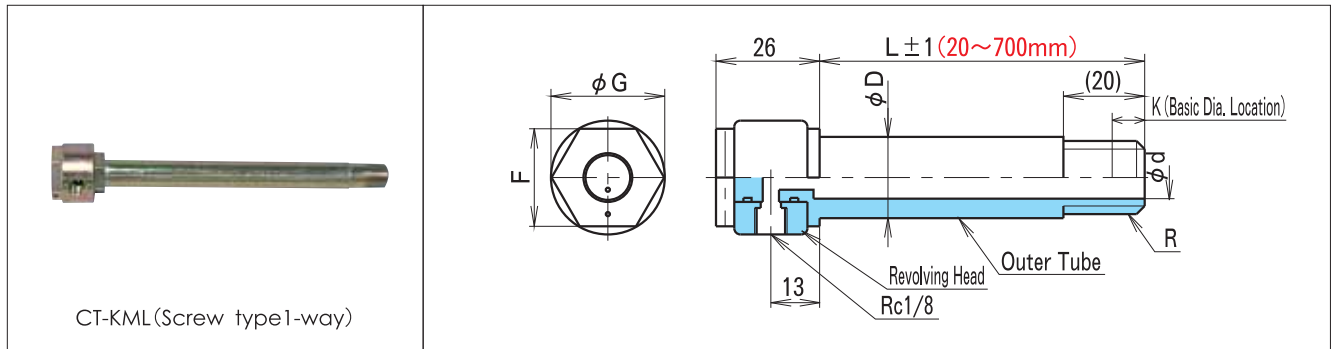


Cool Tube (Revolving Head, Screw Type)

The head turns, allowing the hose position in any desired direction.

The tube can be installed without detaching the hose.

- Die cooling tube, made of steel.
- For a single (1-way) flow channel only.
- It is held firmly on the die with special thread.



Material

Head and Outer Tube : MFZ8CM2 plated steel

O-ring (Inside of Revolving Head) : JIS 4-D (Heat-resistance temperature 200°C)

● Maximum working pressure 0.5MPa ● Working fluid temperature Below 150°C

Standard list

(Unit : mm)


Model	Type	Nominal	Head		Outer Tube			
			Across	Revolving Head Dia.	Outer Dia.	Inner Dia.	Screw	Basic Dia. Location
			F	ϕG	ϕD	ϕd	R	K
CT	KML	1	24	30	10.5	5.7	1/8	4
		2	24	30	13.8	7.8	1/4	6
		3	24	30	17.3	10.9	3/8	7

Example of order code designation

Model — Type — Nominal — Length L Designate L

CT — **KML** — **2** — **L200** ※Please order L by a 1mm unit.

● Extra processing

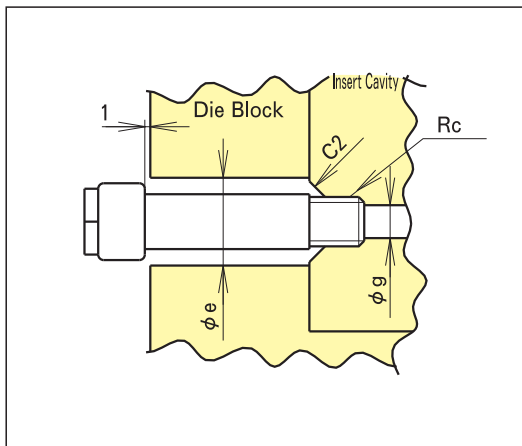
Extra Processing	Extra Processing Code	Example	Remarks
Marking(English letters and numbers only) 3mm high	MK□□□□ Designate letters or numbers up to 2 letters		Max.2 letters

● Example of order code designation (Extra processing)

Model — Type — Nominal — LengthL — ExtraProcessing Code

CT — **KML** — **2** — **L200** — **MK12**

● Recommended size



(Unit : mm)

Model	Type	Nominal	Die Block, Hole Dia.	Screw	Top, Hole Dia.
			ϕe	Rc	ϕg
CT	KML	1	15	1/8	6~
		2	17	1/4	8~
		3	22	3/8	12~

■ Note

- For installation, torque for tightening for die should be below 30 N.m(300kgf • cm)
Please use the wrench with dimensions as below.
(Do not tighten too much to avoid damage.)

