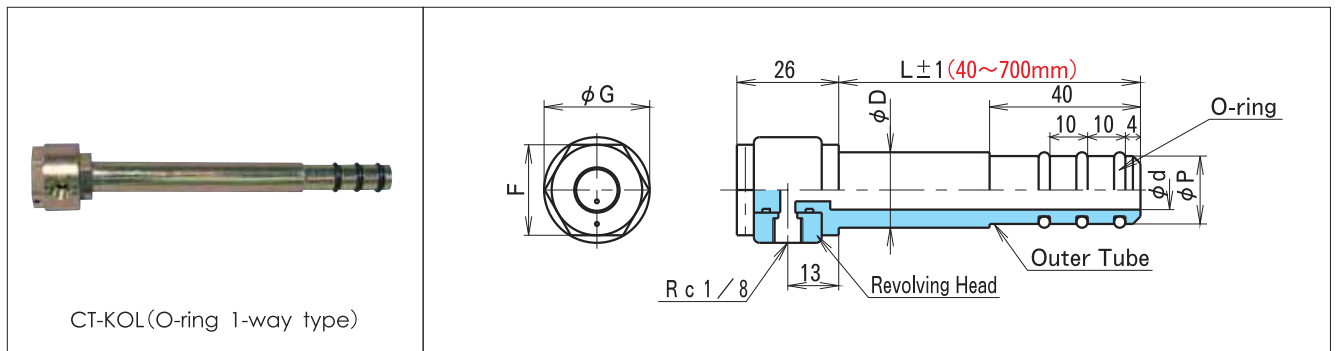


Cool Tube (Revolving Head, O-ring Type)

The head turns, allowing the hose position in any desired direction.

The tube can be installed without detaching the hose.

- Die cooling tube, made of steel.
- For a single (1-way) flow channel only.
- Putting in and out is easy because of O-ring.



Material

Head and Outer Tube : MFZ8CM2 plated steel

O-ring : JIS 4-D (Heat-resistance temperature 200°C)

Maximum working pressure 0.5MPa

Working fluid temperature Below 150°C

Standard list

(Unit : mm)

| Model | Type | Nominal | Head | | Outer Tube | | | |
|-------|------|---------|-------------|-------------------------------|-------------------|-------------------|---------------|-------------------------|
| | | | Across F | Revolving Head Dia. φ G | Outer Dia. φ D | Inner Dia. φ d | O-ring φ P | O-ring used JISB2401 |
| CT | KOL | 1 | 24 | 30 | 10.5 | 5.7 | 10.0 | P 8 |
| | | 2 | 24 | 30 | 13.8 | 7.8 | 12.0 | P10 |
| | | 3 | 24 | 30 | 17.3 | 10.9 | 17.0 | P14 |

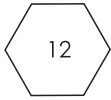
Example of order code designation

Model — Type — Nominal — LengthL Designate

CT — KOL — 2 — L200

※Please order L by a 1mm unit.

● Extra processing

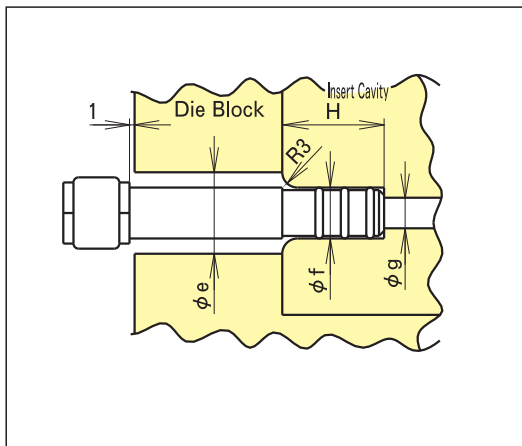
| Extra Processing | Extra Processing Code | Example | Remarks |
|---|--|---|---------------|
| Marking(English letters and numbers only) 3mm high | MK□□□□ Designate letters or numbers up to 2 letters |  | Max.2 letters |

● Example of order code designation (Extra processing)

Model — Type — Nominal — LengthL — ExtraProcessing Code

CT — **KOL** — **2** — **L200** — **MK12**

● Recommended size



(Unit : mm)

| Model | Type | Nominal | Die Block, Hole Dia. ϕe | O-ring Hole Dia. ϕf | Top, Hole Dia. ϕg | O-ring Depth H |
|-------|------|---------|----------------------------------|------------------------------|----------------------------|-------------------|
| CT | KOL | 1 | 15 | $11^{+0.05}_0$ | 6~ | 30 |
| | | 2 | 17 | $13^{+0.05}_0$ | 8~ | |
| | | 3 | 22 | $18^{+0.06}_0$ | 12~ | |

■ Note

- Please make sure to protect Cool Tube from dislocation.
- There might be water leak if cool tube is inclining.
Please use it to prevent from inclining.
- Please apply soapy water on O-ring for installation.
- Please be careful not to damage O-ring for installation. There might be water leak.