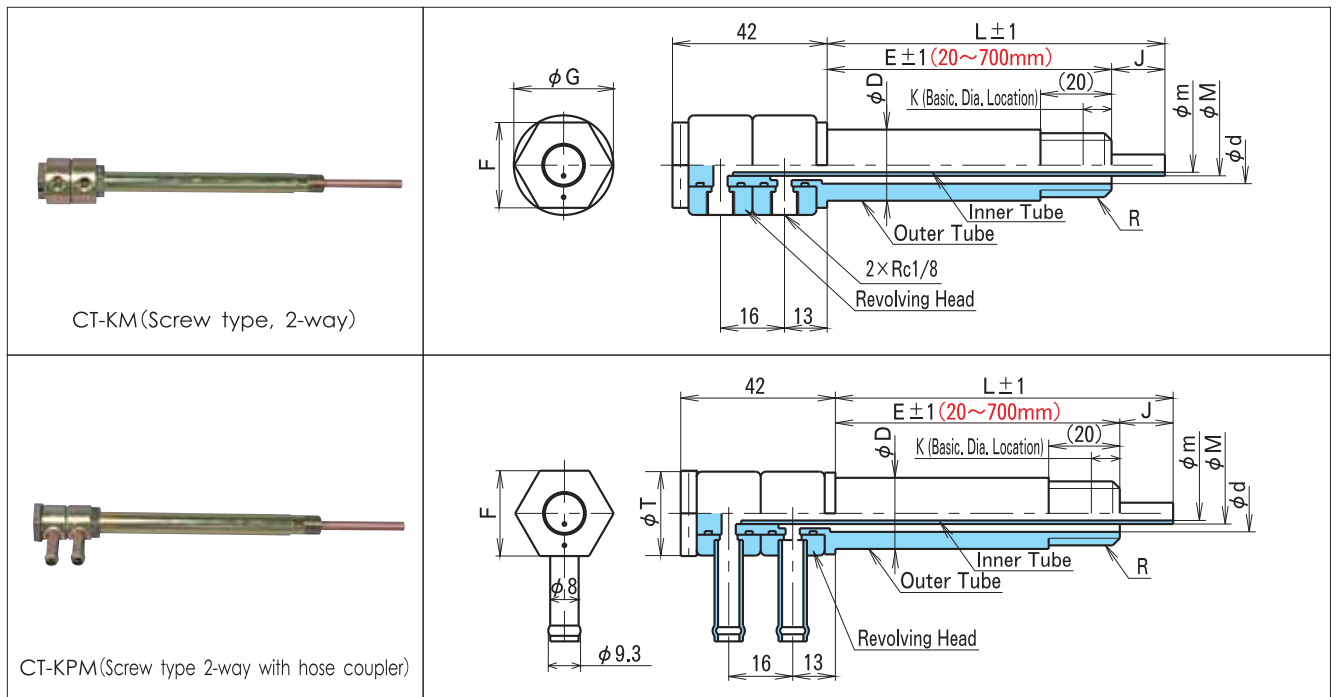


Cool Tube (Revolving Head, Screw Type)

The head turns, allowing the hose position in any desired direction.

The tube can be installed without detaching the hose.

- Die cooling tube, made of steel.
- KM has threaded hose connecting port, KPM has direct rubber hose connecting port.
- It is held firmly on the die with special thread.



Material

- Head and Outer Tube : MFZ8CM2 plated steel
- Inner Tube : Phosphorus Deoxidized Copper
- O-ring(Inside of Revolving Head) : JIS 4-D (Heat-resistance temperature 200°C)

- Maximum working pressure 0.5MPa
- Working fluid temperature Below 150°C

Standard list

(Unit : mm)

Model	Type	Nominal	Head			Outer Tube				Inner Tube	
			Across	Revolving Head Dia.		Outer Dia.	Inner Dia.	Screw	Basic Dia. Location	Outer Dia.	Inner Dia.
			F	φ T	φ G	φ D	φ d	R		φ M	φ m
CT	KM	1	24	/	30	10.5	5.7	1/8	4	4.0	2.4
		2	24		30	13.8	7.8	1/4	6	6.0	4.0
		3	24		30	17.3	10.9	3/8	7	8.0	6.0
	KPM	1	24	22	/	10.5	5.7	1/8	4	4.0	2.4
		2	24	22		13.8	7.8	1/4	6	6.0	4.0
		3	24	22		17.3	10.9	3/8	7	8.0	6.0

Example of order code designation

Model	Type	Nominal	Length L	Outer Length E	Inner Protrusion J	Designate L E J
CT	KM	2	L200	E150	J50	※Please order L,E,J by a 1mm unit.
	KPM	2	L200	E150	J50	

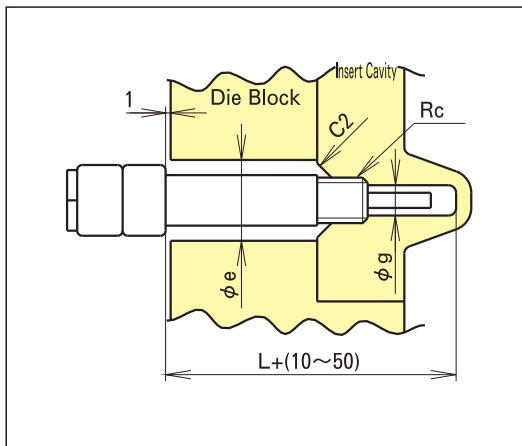
● Extra processing

Extra Processing	Extra Processing Code	Example	Remarks
Marking(English letters and numbers only) 3mm high	MK□□□□ Designate letters or numbers		Max.2 letters

● Example of order code designation (Extra processing)

Model	Type	Nominal	LengthL	OuterLength E	Inner ProtrusionJ	ExtraProcessing Code
CT	KM	2	L200	E150	J50	MK12

● Recommended size



(Unit : mm)

Model	Type	Nominal	Die Block, Hole Dia.	Screw	Top, Hole Dia.	Adapting Hose
			φ e	Rc	φ g	Inner Dia.
CT	KM KPM	1	15	1/8	6~	φ 8 (KPM Only)
		2	17	1/4	8~	
		3	22	3/8	12~	

■ Note

- For installation, torque for tightening for die should be below 30 N.m(300kgf · cm)
Please use the wrench with dimensions as below.
(Do not tighten too much to avoid damage.)

