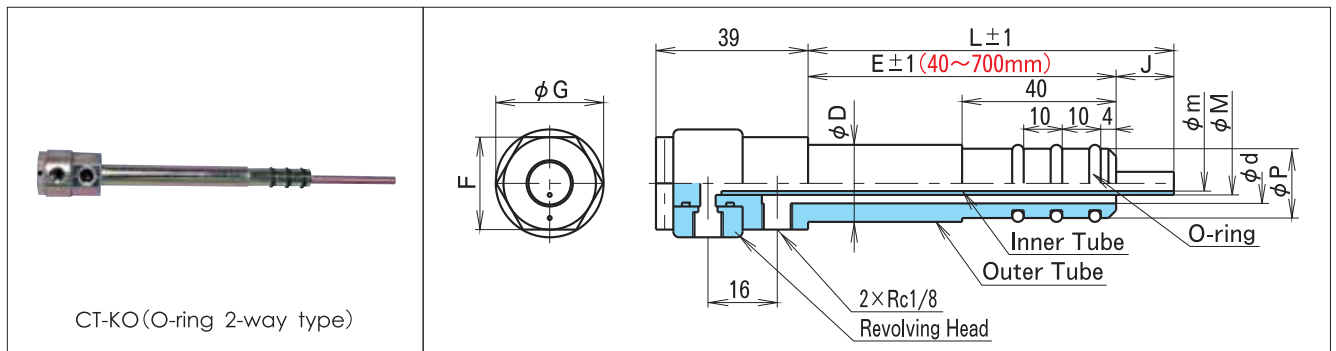


Cool Tube (Revolving Head, O-ring Type)

The head turns, allowing the hose position in any desired direction.

The tube can be installed without detaching the hose.

- Die cooling tube, made of steel.
- Hose connecting ports are threaded.
- Putting in and out is easy because of O-ring.



Material

Head and Outer Tube : MFZ8CM2 plated steel
 Inner Tube : Phosphorus Deoxidized Copper
 O-ring : JIS 4-D (Heat-resistance temperature 200°C)

● Maximum working pressure 0.5MPa ● Working fluid temperature Below 150°C

Standard list

(Unit : mm)

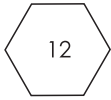
Model	Type	Nominal	Head		Outer Tube				Inner Tube	
			Across	Revolving Head Dia.	Outer Dia.	Inner Dia.	O-ring	O-ring used	Outer Dia.	Inner Dia.
			F	φ G	φ D	φ d	φ P	JISB2401	φ M	φ m
CT	KO	1	24	30	10.5	5.7	10.0	P 8	4.0	2.4
		2	24	30	13.8	7.8	12.0	P10	6.0	4.0
		3	24	30	17.3	10.9	17.0	P14	8.0	6.0

Example of order code designation

Model — Type — Nominal — Length L — Outer Length E — Inner Protrusion J Designate L E J

CT — KO — 2 — L200 — E150 — J50 ※Please order L,E,J by a 1mm unit.

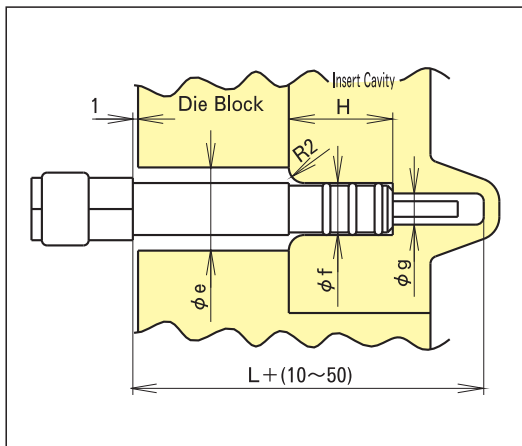
● Extra processing

Extra Processing	Extra Processing Code	Example	Remarks
Marking(English letters and numbers only) 3mm high	MK□□□□ Designate letters or numbers		Max.2 letters

● Example of order code designation (Extra processing)

Model	Type	Nominal	LengthL	OuterLength E	Inner ProtrusionJ	ExtraProcessing Code
CT	KO	2	L200	E150	J50	MK12

● Recommended size



(Unit : mm)

Model	Type	Nominal	Die Block, Hole Dia. ϕe	O-ring Hole Dia. ϕf	Top, Hole Dia. ϕg	O-ring Depth H
CT	KO	1	15	$11^{+0.05}_0$	6~	30
		2	17	$13^{+0.05}_0$	8~	
		3	22	$18^{+0.06}_0$	12~	

■ Note

- Please make sure to protect Cool Tube from dislocation.
- There might be water leak if cool tube is inclining.
Please use it to prevent from inclining.
- Please apply soapy water on O-ring for installation.
- Please be careful not to damage O-ring for installation. There might be water leak.