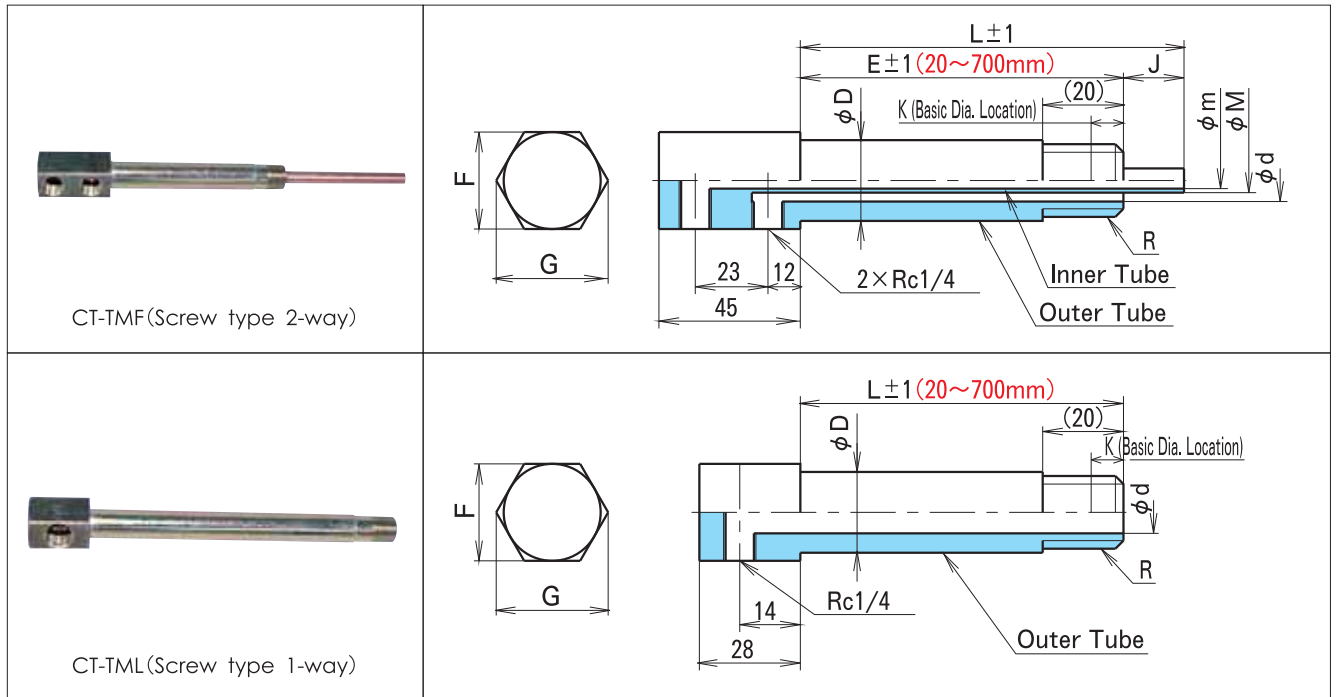


Cool Tube (Rc1/4 Screw Type)

Cooling tube with hose connecting port with Rc 1/4 threads.

- Die cooling tube, made of steel.
- F is 2-way and L is 1-way cooling type.
- It is held firmly on the die with special thread.



Material

Head and Outer Tube : MFZ8CM2 plated steel
Inner Tube : Phosphorus Deoxidized Copper

● Maximum working pressure 2MPa

● Working fluid temperature Below 150°C

Standard list

(Unit : mm)

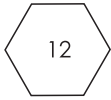
Model	Type	Nominal	Head		Outer Tube				Inner Tube(TMF only)	
			Across	Max. Dia.	Outer Dia.	Inner Dia.	Screw	Basic Dia. Location	Outer Dia.	Inner Dia.
			F	G	ϕD	ϕd	R	K	ϕM	ϕm
CT	TMF TML	1	24	28	10.5	5.7	1/8	4	4.0	2.4
		2	24	28	13.8	7.8	1/4	6	6.0	4.0
		3	29	34	17.3	10.9	3/8	7	8.0	6.0
		4	29	34	21.7	16.1	1/2	8	10.0	8.0

Example of order code designation

Model	Type	Nominal	LengthL	OuterLength E	Inner ProtrusionJ	Designate L E J
CT	TMF	1	L200	E150	J50	*Please order L,E,J by a 1mm unit.
	TML	1	L200			

Cool Tube (Rc1/4 Screw Type)

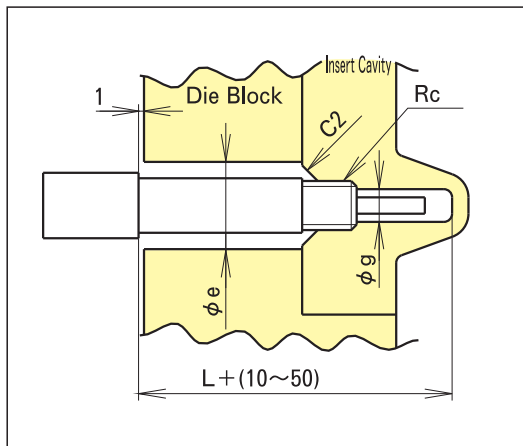
● Extra processing

Extra Processing	Extra Processing Code	Example	Remarks
Marking(English letters and numbers only) 3mm high	MK□□□□ Designate letters or numbers		Max.5 letters

● Example of order code designation (Extra processing)

Model	Type	Nominal	LengthL	OuterLength E	Inner ProtrusionJ	ExtraProcessing Code
CT	TMF	1	L200	E150	J50	MK12

● Recommended size



(Unit : mm)

Model	Type	Nominal	Die Block, Hole Dia.	Screw	Top, Hole Dia.
			ϕe	Rc	ϕg
CT	TMF TML	1	15	1/8	6~
		2	17	1/4	8~
		3	22	3/8	12~
		4	26	1/2	16~