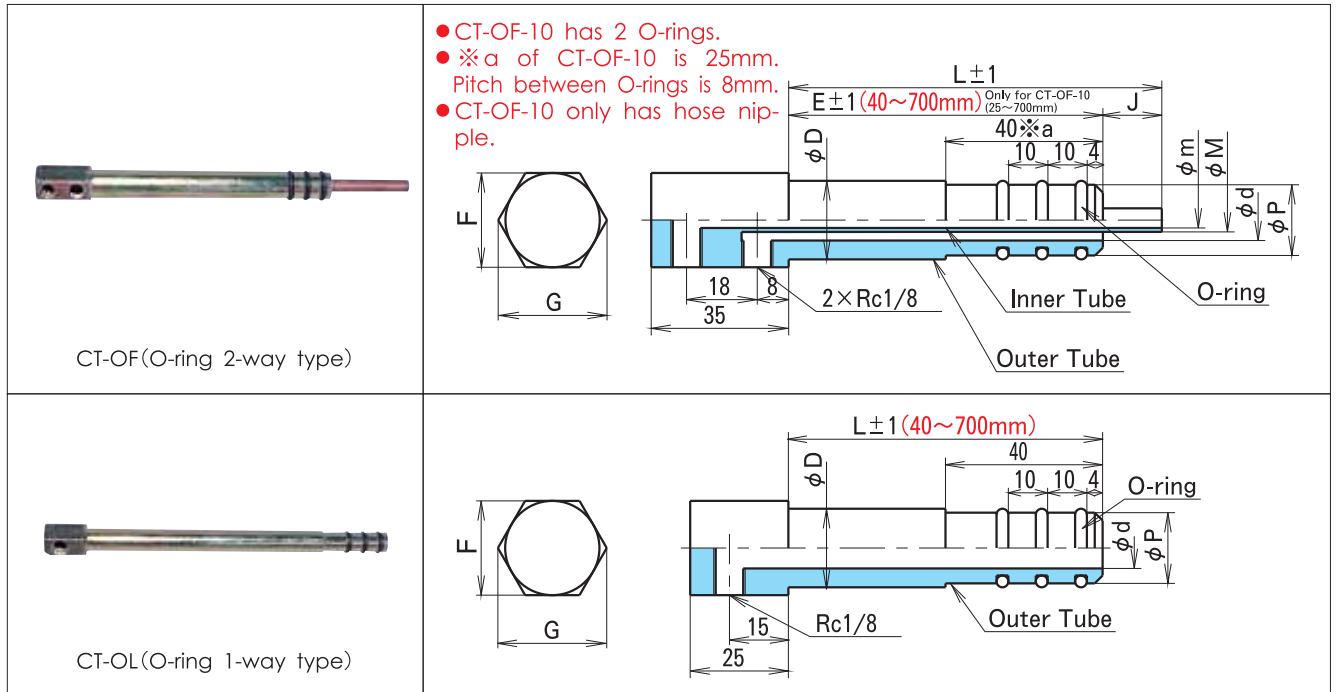


Cool Tube (O-ring Type)

A robust steel cooling tube

- F is 2-way, and L is 1-way cooling type.
- Installation and pull-out are easy because of O-ring.



Material

Head and Outer Tube : MFZ8CM2 plated steel
 Inner Tube : Phosphorus Deoxidized Copper
 O-ring : JIS 4-D (Heat-resistance temperature 200°C)

- Maximum working pressure 2MPa
- Working fluid temperature Below 150°C

Standard list

(Unit : mm)

Model	Type	Nominal	Head		Outer Tube				Inner Tube(OF only)	
			Across	Max. Dia.	Outer Dia.	Inner Dia.	O-ring	O-ring used	Outer Dia.	Inner Dia.
			F	G	φD	φd	φP	JISB2401	φM	φm
CT	OF	10	17	20	10.5	5.7	9.7	P 7	4.0	2.4
	OF OL	1	17	20	10.5	5.7	10.0	P 8	4.0	2.4
		2	19	22	13.8	7.8	12.0	P10	6.0	4.0
		3	21	24	17.3	10.9	17.0	P14	8.0	6.0
		4	24	28	21.7	16.1	21.0	P18	10.0	8.0

Example of order code designation

Model	Type	Nominal	LengthL	OuterLength E	Inner ProtrusionJ	Designate L E J
CT	OF	1	L200	E150	J50	※Please order L,E,J by a 1mm unit.
	OL	1	L200			

Cool Tube (O-ring Type)

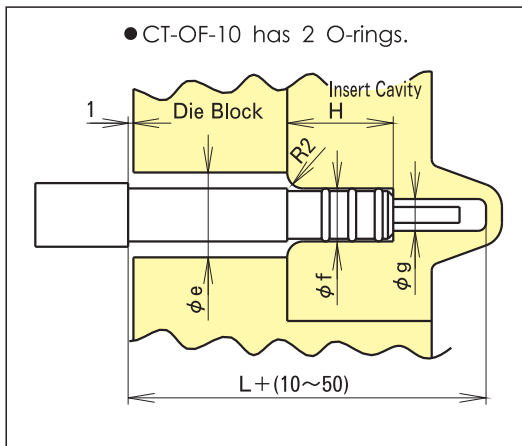
● Extra processing

Extra Processing	Extra Processing Code	Example
Marking(English letters and numbers only) 3mm high	MK□□□ Designate letters or numbers	

● Example of order code designation (Extra processing)

Model	Type	Nominal	LengthL	OuterLength E	Inner ProtusionJ	ExtraProcessing Code
CT	OF	1	L200	E150	J50	MK12

● Recommended size



(Unit : mm)

Model	Type	Nominal	Die Block, Hole Dia. φ e	O-ring Hole Dia. φ f	Top, Hole Dia. φ g	O-ring Depth H
CT	OF	10	14	$10^{+0.05}_0$	6~	20
		1	15	$11^{+0.05}_0$	6~	30
	OL	2	17	$13^{+0.05}_0$	8~	
		3	22	$18^{+0.06}_0$	12~	
		4	26	$22^{+0.06}_0$	16~	

■ Note

- Please make sure to protect Cool Tube from dislocation.
- There might be water leak if cool tube is inclining.
Please use it to prevent from inclining.
- Please apply soapy water on O-ring for installation.
- Please be careful not to damage O-ring for installation. There might be water leak.