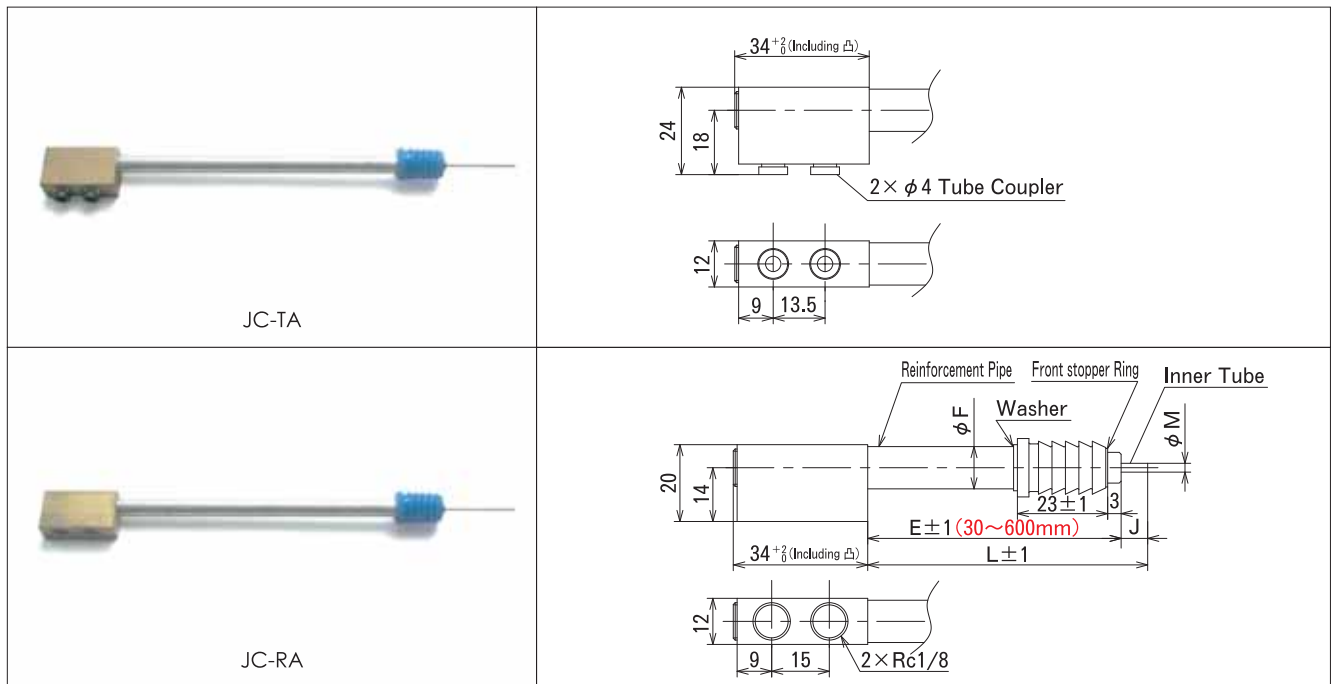


# Jet Cooler (with Packing Retainer)

Strong Jet Cooler for installation with packing retainer.

- JC-TA is for "one-touch" connection with  $\phi 4$  tube. JC-RA has screw holes for connection with tube coupler.
- Installation hole diameters are  $\phi 10$  and  $\phi 13$ .
- Please apply soapy water on packing for installation.



Extra Processing : Coupler will be fitted on RA type.

## Material

Head : Bs (Brass)  
Outer Tube : SUS304  
Inner Tube : SUS304

O-ring (Coupler) : JIS 4-D (Heat-resistance temperature 200°C)  
Packing : Silicon Rubber (Heat-resistance temperature 150°C)  
Reinforcement pipe : A6063S

Maximum working pressure : 1.5MPa

Working fluid temperature : Below 150°C

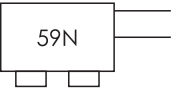
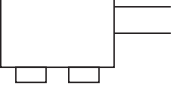
## Standard list

(Unit : mm)

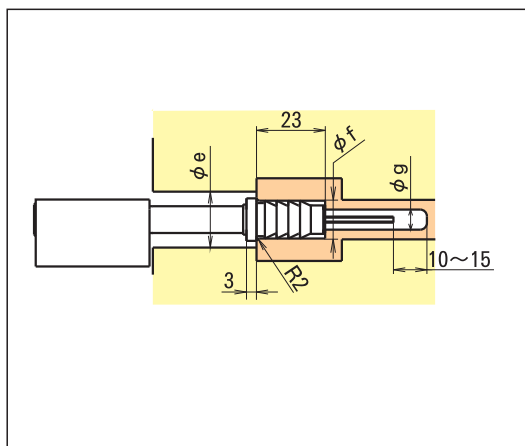
Model	Type	Nominal	Head Hose Connection	Outer Tube		Inner Tube		Reinforcement Pipe Inner Dia.	Hole for Packing $\phi f^{+0.1}$
				Outer Dia. $\phi D$	Inner Dia. $\phi d$	Outer Dia. $\phi M$	Inner Dia. $\phi m$		
JC	TA	106	Tube Coupler	6.0	3.0	1.20	0.85	6.4	10
						1.80	1.35		
	136	Tube Coupler	6.0	3.0	1.20	0.85	6.4	13	
					1.80	1.35			
	RA	106	Rc1/8	6.0	3.0	1.20	0.85	6.4	10
						1.80	1.35		
136		Rc1/8	6.0	3.0	1.20	0.85	6.4	13	
					1.80	1.35			
138	Rc1/8	8.0	4.0	1.80	1.35	11.0	13		
						2.30	1.80		

It is recommended to use largest possible inner and outer tubes.  
     are standard inner tubes. Please designate M for other tubes.

## ● Extra processing

Extra Processing	Extra Processing Code	Example	Remarks
Marking(English letters and numbers only) 4mm high	MK□□□□ Designate letters or numbers		Max. 5 letters
With Coupler (only JC-RA)	Select from CO-4, 6, 8 (Only R1/8 Screw) (P.69)		CO price×2pcs + assembly fee
Inner Tube Designation	M	Select from $\phi$ M column	

## ● Recommended size



Model	Type	Nominal	Hole on Die Mold	Hole Dia. of Packing	Hole Dia. at Top
			$\phi e$	$\phi f^{+0.1}$	$\phi g$
JC	TA RA	106	14	10	3.5~
		136	17	13	3.5~
		138	17	13	4.5~

## ● Example of order code designation

Model	Type	Nominal	LengthL	OuterLength E	Inner ProtrusionJ	Inner Tube Outer Dia. M	Designate L E J
JC	TA	136	L200	E150	J50	M1.2	※Please order L,E,J by a 1mm unit. M is entry-free in the case of standard.

## ● Example of order extra processing

Model	Type	Nominal	LengthL	OuterLength E	Inner ProtrusionJ	ExtraProcessing Code
JC	TA	136	L200	E150	J50	MK59N - CO4 - M1.2