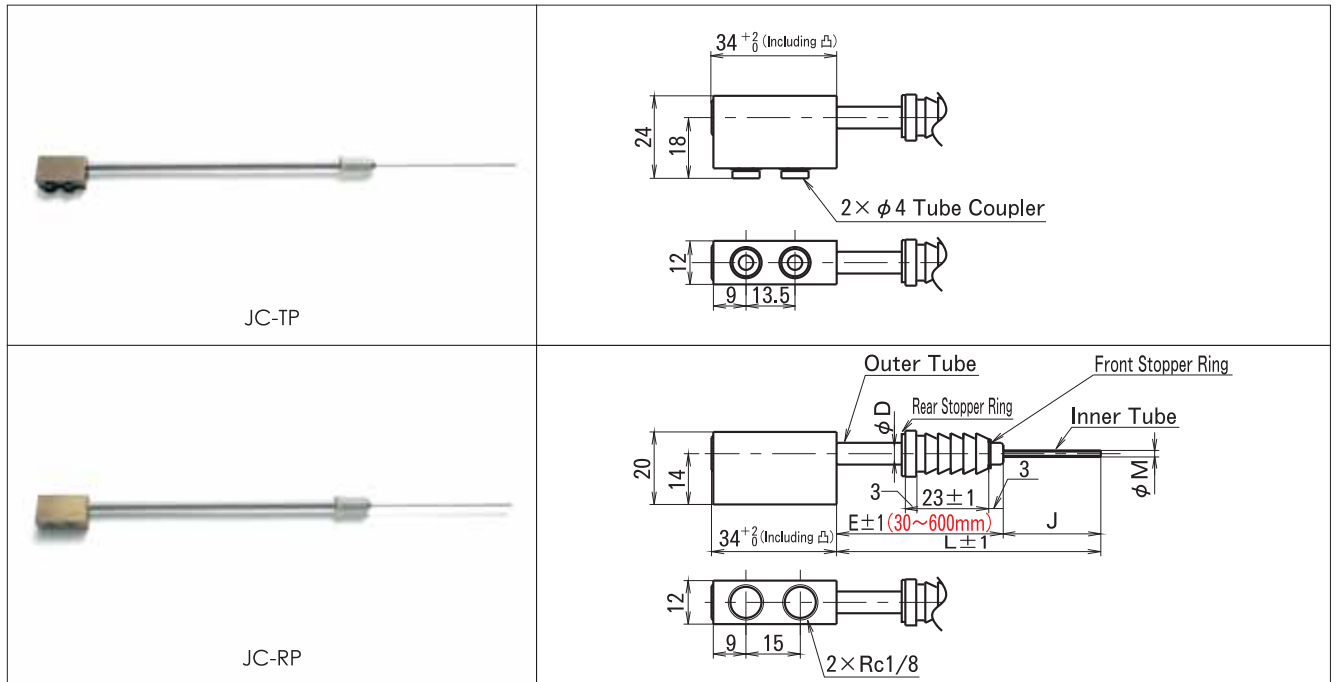


Jet Cooler (Packing Type)

Jet Cooler for installation with special packing.

- JC-TP is for "one-touch" connection with $\phi 4$ tube. JC-RP has screw holes for connection with tube coupler.
- Installation hole diameters are $\phi 10$ and $\phi 13$.
- Please apply soapy water on packing for installation.



Extra Processing : Coupler will be fitted on RP type.

Material

Head : Bs (Brass)
Outer Tube : SUS304
Inner Tube : SUS304

O-ring (Tube Coupler) : JIS 4-D (Heat-resistance temperature 200°C)
Packing : Silicon Rubber (Heat-resistance temperature 150°C)

Maximum working pressure 1.5MPa Working fluid temperature Below 150°C

Standard list

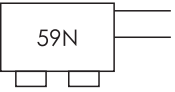
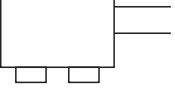
(Unit : mm)

Model	Type	Nominal	Head	Outer Tube		Inner Tube		Hole for Packing
			Hose Connection	Outer Dia.	Inner Dia.	Outer Dia.	Inner Dia.	$\phi f^{+0.1}$
				ϕD	ϕd	ϕM	ϕm	
JC	TP	106	Tube Coupler	6.0	3.0	1.20	0.85	10
						1.80	1.35	
	136	Tube Coupler	6.0	3.0	1.20	0.85	13	
					1.80	1.35		
	RP	106	Rc1/8	6.0	3.0	1.20	0.85	10
						1.80	1.35	
136		Rc1/8	6.0	3.0	1.20	0.85	13	
					1.80	1.35		
138	Rc1/8	8.0	4.0	1.80	1.35			
				2.30	1.80			

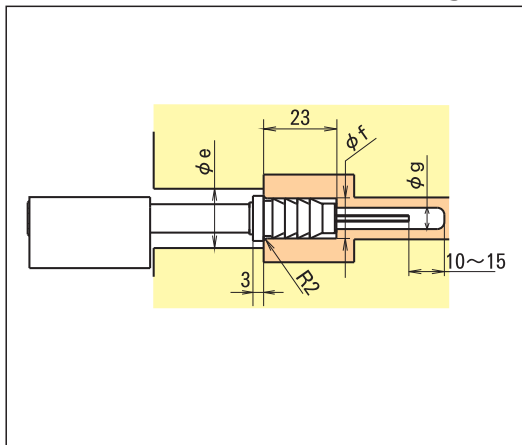
It is recommended to use largest possible inner and outer tubes.
 are standard inner tubes. Please designate M for other tubes.

Jet Cooler (Packing Type)

● Extra processing

Extra Processing	Extra Processing Code	Example	Remarks
Marking(English letters and numbers only) 4mm high	MK□□□□ Designate letters or numbers		Max.5 letters
With Coupler (only JC-RP)	Select from CO-4, 6, 8 (Only R1/8 Screw) (P.69)		CO price×2pcs + assembly fee
Inner Tube Designation	M	Select from ϕ M column	

● Recommended Mounting Dimensions



(Unit : mm)

Model	Type	Nominal	Hole on Die Mold	Hole Dia. of Packing	Hole Dia. at Top
			ϕe	$\phi f^{+0.1}$	ϕg
JC	TP RP	106	14	10	3.5~
		136	17	13	3.5~
		138	17	13	4.5~

● Example of order code designation

Model	Type	Nominal	LengthL	OuterLength E	Inner ProtrusionJ	Inner Tube Outer Dia. M	Designate L E J
JC	TP	136	L200	E150	J50	M1.2	※Please order L,E,J by a 1mm unit. M is entry-free in the case of standard.

● Example of order extra processing

Model	Type	Nominal	LengthL	OuterLength E	Inner ProtrusionJ	ExtraProcessing Code	
JC	TP	136	L200	E150	J50	MK59N	CO4 - M1.2