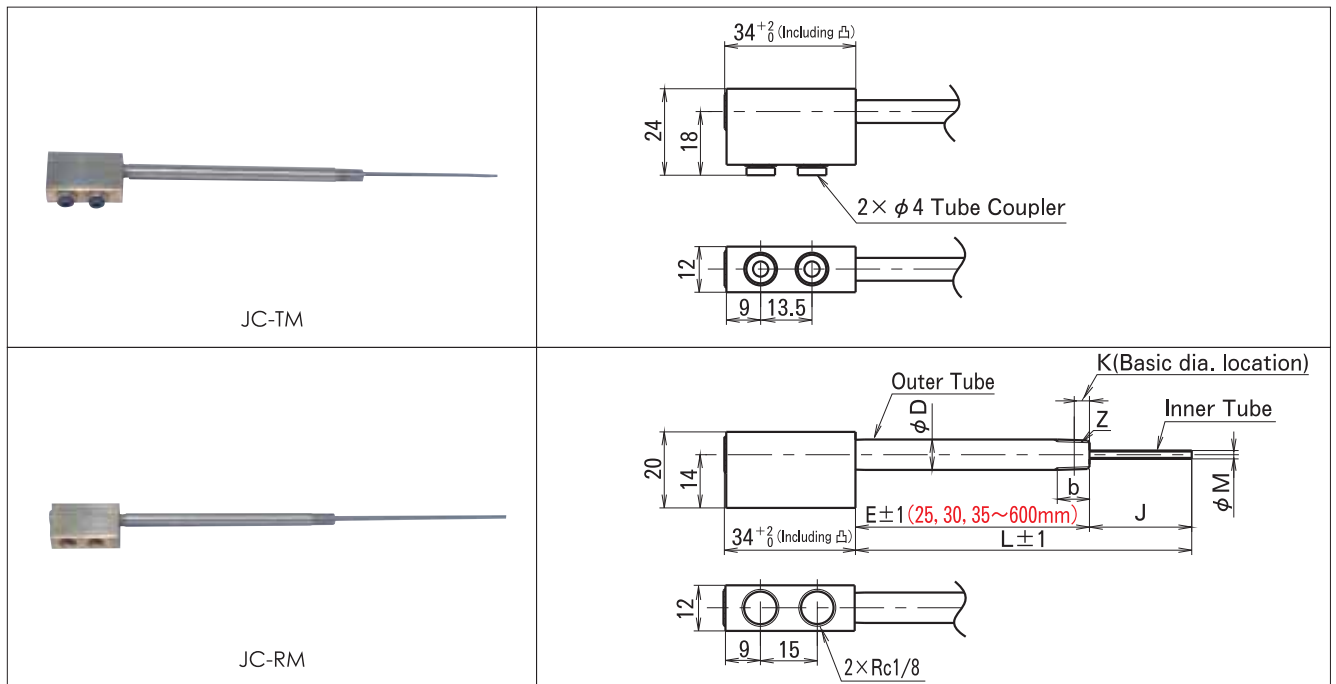


Jet Cooler (Screw Type)

Jet cooler for screw type installation.

- JC-TM is for "one-touch" connection with $\phi 4$ tube and JCRM has screw holes for connection with tube coupler.
- For installation on the die, Rc1/16, Rc1/8, M4 M6 are available.



Extra processing : Coupler will be fitted on RM type.

Material

Head : Bs (Brass)
Outer Tube : SUS304
Inner Tube : SUS304

O-ring (Coupler) : JIS 4-D (Heat-resistance temperature 200°C)

Maximum working pressure 1.5MPa

Working fluid temperature Below 180°C

Standard list

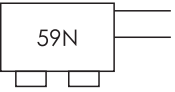
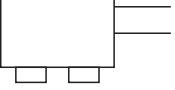
(Unit : mm)

Model	Type	Nominal	Head Connecting Hose	Outer Tube					Inner Tube	
				Outer Dia.	Inner Dia.	Screw	Basic Dia. Location	Screw Length	Outer Dia.	Inner Dia.
				ϕD	ϕd	Z	k	b	ϕM	ϕm
JC	TM	04	Tube Coupler	4.0	2.0	M4×0.7	—	10	1.20	0.85
		06	Tube Coupler	6.0	3.0	M6×1.0	—	10	1.20	0.85
	RM	06	Rc1/8	6.0	3.0	M6×1.0	—	10	1.20	0.85
		08	Rc1/8	8.0	4.0	R1/16	4.0	—	1.80	1.35
		10	Rc1/8	10.0	5.0	R1/8	4.0	—	1.80	1.35
				2.30	1.80					
							2.30	2.30		

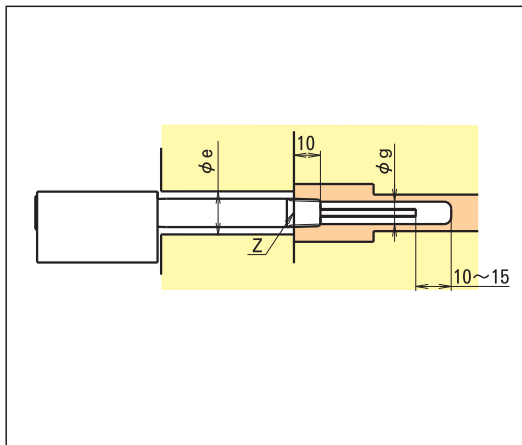
It is recommended to use largest possible inner and outer tubes.
 are standard inner tubes. Please designate M for other tubes.

Jet Cooler (Screw Type)

● Extra processing

Extra Processing	Extra Processing Code	Example	Remarks
Marking(English letters and numbers only) 4mm high	MK□□□□ Designate letters or numbers		Max.5 letters
With Coupler (only JC-RM)	Select from CO-4, 6, 8 (Only R1/8 Screw) (P.69)		CO price×2pcs + assembly fee
Inner Tube Designation	M	Select from φM column	

● Recommended size



(Unit : mm)

Model	Type	Nominal	Hole on Die Mold	Screw	Hole Dia. at Top
			φe	Z	φg
JC	TM RM	04	8	M4×0.7	2.0~
		06	10	M6×1	3.5~
		08	12	Rc1/16	4.5~
		10	13	Rc1/8	6.0~

● Torque for tightening

Nominal	Recommended Torque for Tightening (N·m)
04	0.2
06	1
08	4
10	8

● Example of order code designation

Model	Type	Nominal	LengthL	OuterLength E	Inner ProtrusionJ	Inner Tube Outer Dia. M	Designate L E J
JC	RM	06	L200	E150	J50	M1.2	※Please order L,E,J by a 1mm unit. M is entry-free in the case of standard.

● Example of order extra processing

Model	Type	Nominal	LengthL	OuterLength E	Inner ProtrusionJ	ExtraProcessing Code
JC	RM	06	L200	E150	J50	MK59N - C04 - M1.2