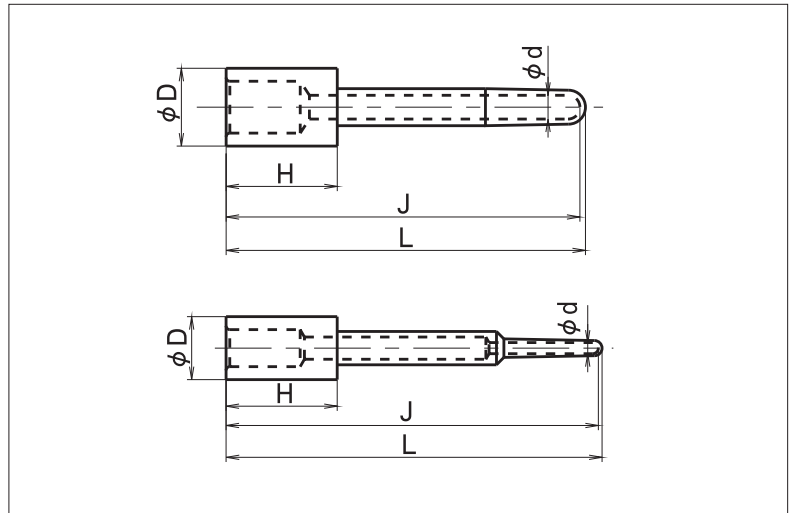


## Jet Pin (Core Pin provided with a cooling channel)



### Standard

Model	$\phi D$	L	Extra Processing Code J	Processing	Cooling Channel machining
CP	CP Core Pin Designate from (P.107)		Depth of Cooling Channel	①Cooling channel ②Cooling connection	Please send drawing

※Note

Jet Pin is a core pin with a built-in cooling water channel. This is suitable for Core Pins in diameter of 4mm or larger. Please send a drawing of your core pin together with your order. We may suggest our own cooling channel shape.

### Example of order code designation

Ref. Jet Cooler (P.25~)

Model —  $\phi D$  — L — Extra processing code J

**CP** — **D26** — **L300** — **J297** + Drawing